



## KL PAR FC



User Manual

©2022 ELATION PROFESSIONAL all rights reserved. Information, specifications, diagrams, images, and instructions herein are subject to change without notice. ELATION PROFESSIONAL logo and identifying product names and numbers herein are trademarks of ELATION PROFESSIONAL. Copyright protection claimed includes all forms and matters of copyrightable materials and information now allowed by statutory or judicial law or hereinafter granted. Product names used in this document may be trademarks or registered trademarks of their respective companies and are hereby acknowledged. All non-ELATION brands and product names are trademarks or registered trademarks of their respective companies.

**ELATION PROFESSIONAL** and all affiliated companies hereby disclaim any and all liabilities for property, equipment, building, and electrical damages, injuries to any persons, and direct or indirect economic loss associated with the use or reliance of any information contained within this document, and/or as a result of the improper, unsafe, insufficient and negligent assembly, installation, rigging, and operation of this product.

**Elation Professional USA** | 6122 S. Eastern Ave. | Los Angeles, CA. 90040  
 323-582-3322 | 323-832-9142 fax | [www.elationlighting.com](http://www.elationlighting.com) | [info@elationlighting.com](mailto:info@elationlighting.com)

**Elation Professional B.V.** | Junostraat 2 | 6468 EW Kerkrade, The Netherlands  
 +31 45 546 85 66 | +31 45 546 85 96 fax | [www.elationlighting.eu](http://www.elationlighting.eu) | [info@elationlighting.eu](mailto:info@elationlighting.eu)

**Elation Professional Mexico** | AV Santa Ana 30 | Parque Industrial Lerma, Lerma, Mexico 52000  
 +52 (728) 282-7070

## DOCUMENT VERSION



Due to additional product features and/or enhancements, an updated version of this document may be available online. Please scan the QR Code with your mobile device or visit [www.elationlighting.com](http://www.elationlighting.com) for the latest revision/update of this manual, before installation and/or programming.

Date	Document Version	Software Version	DMX Channel Mode	Notes
07/19/21	1.0	1.03	1/6/11/18/9/14	Initial Release
07/23/21	2.0	N/C	No Change	Updated Specifications and Dimensional Drawings.
07/27/21	3.0	N/C	No Change	Update Dimensional Drawing and Specifications
08/24/22	4.0	N/C	No Change	Updated RDM Parameters & Codes
11/21/22	5.0	N/C	No Change	Updated Specifications

# CONTENTS

General Information	4
Warranty Returns (USA Only)	5
Safety Guidelines	6
Maintenance Guidelines	8
Overview	9
Fixture Installation	10
Accessory Installation	12
Control Panel	14
RDM Parameters and codes	15
System Menu	16
Encoder Function	18
DMX Channels Functions	19
Dimmer Modes & Curves	25
Color Temperature Chart	26
Color Macros Chart	27
Dimensional Drawings	28
Specifications	29
Ordering Information   Error Codes	30

# GENERAL INFORMATION

## INTRODUCTION

Please read and understand the instructions in this manual carefully and thoroughly before attempting to operate this device. These instructions contain important safety and use information.

## UNPACKING

Every device has been thoroughly tested and has been shipped in perfect operating condition. Carefully check the shipping carton for damage that may have occurred during shipping. If the carton is damaged, carefully inspect the device for damage, and be sure all accessories necessary to install and operate the device have arrived intact. In the event damage has been found or parts are missing, please contact our customer support team for further instructions. Please do not return this device to your dealer without first contacting customer support. Please do not discard the shipping carton in the trash. Please recycle whenever possible.

## BOX CONTENTS

Gel Frame (x1)

Lenses (x4): 11°, 22°, 30°, 52°

Power Cable (x1)

## CUSTOMER SUPPORT

Contact ELATION Service for any product related service and support needs. Also visit [forums.elationlighting.com](https://forums.elationlighting.com) with questions, comments, or suggestions.

**ELATION SERVICE USA - Monday - Friday 8:00am to 4:30pm PST**  
323-582-3322 | Fax 323-832-9142 | [support@elationlighting.com](mailto:support@elationlighting.com)

**ELATION SERVICE EUROPE - Monday - Friday 08:30 to 17:00 CET**  
+31 45 546 85 63 | Fax +31 45 546 85 96 | [support@elationlighting.eu](mailto:support@elationlighting.eu)

**REPLACEMENT PARTS** please visit [parts.elationlighting.com](https://parts.elationlighting.com)



## IMPORTANT NOTICE!

**THERE ARE NO USER SERVICEABLE PARTS INSIDE THIS UNIT. DO NOT ATTEMPT ANY REPAIRS YOURSELF; DOING SO WILL VOID YOUR MANUFACTURER'S WARRANTY. DAMAGES RESULTING FROM MODIFICATIONS TO THIS FIXTURE AND/OR THE DISREGARD OF SAFETY INSTRUCTIONS AND GUIDELINES IN THIS MANUAL VOID THE MANUFACTURER'S WARRANTY AND ARE NOT SUBJECT TO ANY WARRANTY CLAIMS AND/OR REPAIRS.**

## **WARRANTY RETURNS (USA ONLY)**

To obtain warranty service, a Return Materials Authorization (RMA) number must first be obtained from ELATION. It is the Customer's responsibility to provide product proof of purchase and serial number by acceptable evidence such as an invoice copy or an approved ELATION Extended Warranty Certificate ("EWC") and any relevant maintenance records at the time warranty service is sought. Failure to provide acceptable evidence of product proof of purchase or EWC and any relevant maintenance records may be cause for denial of warranty service.

Products returned for warranty service must be sent without any accessories (i.e., power, data, and safety cables, brackets, clamps, rigging hardware, frost filters, gel frames, barn doors, lenses, hoses, nozzles, rack mounting hardware, etc.), must be boxed using the original and/or suitable packaging materials (double-box and foam) that provides ample product protection for ground and/or air freight transit, and must be shipped freight pre-paid and insured to ELATION in Los Angeles, CA or an ELATION Authorized Service Center. The RMA number must be clearly written on the outside of the return box, and a brief description of the problem and the RMA number must be documented and included in the box.

Products returned for warranty service without an RMA number clearly marked on the outside of the package will be refused and returned to the shipper at the Customer's expense. Products returned for warranty service, which are received damaged due to inadequate and/or improper packaging and/or due to damage caused by shipping carrier, may incur additional repair charges before warranty service begins and/or may void this warranty. If any product accessories (included and/or optional) are shipped with the product, ELATION and/or the ELATION Authorized Service Center shall have no liability what so ever for the loss and/or damage to any such accessories, nor the safe return thereof. If the requested warranty repairs or service (including parts replacement) are within the terms of this warranty, ELATION will pay return ground transportation shipping charges to a single designated point within the United States.

# SAFETY GUIDELINES

This fixture is a sophisticated piece of electronic equipment. To guarantee smooth operation, it is important to follow all instructions and guidelines in this manual. Elation Professional is not responsible for injury and/or damages resulting from the misuse of this fixture due to the disregard of the information printed in this manual. Only qualified and/or certified personnel should perform installation of this fixture and only the original rigging parts included with this fixture should be used for installation. Any modifications to the fixture and/or the included mounting hardware will void the original manufacturer's warranty and increase the risk of damage and/or personal injury.



**PROTECTION CLASS 1 - FIXTURE MUST BE PROPERLY GROUNDED.**



**THERE ARE NO USER SERVICEABLE PARTS INSIDE THIS UNIT. DO NOT ATTEMPT ANY REPAIRS YOURSELF. DOING SO WILL VOID YOUR MANUFACTURER'S WARRANTY. DAMAGES RESULTING FROM MODIFICATIONS TO THIS DEVICE AND/OR THE DISREGARD OF SAFETY INSTRUCTIONS AND GUIDELINES IN THIS MANUAL VOID THE MANUFACTURER'S WARRANTY AND ARE NOT SUBJECT TO ANY WARRANTY CLAIMS AND/OR REPAIRS.**



**DO NOT PLUG THIS UNIT INTO A DIMMER PACK  
DO NOT REMOVE THE COVER UNDER ANY CONDITIONS  
NEVER OPERATE THIS UNIT WITH THE CASING REMOVED  
UNPLUG FROM POWER DURING LONG PERIODS OF NON-USE  
DISCONNECT POWER BEFORE PERFORMING MAINTENANCE**



**NEVER LOOK DIRECTLY INTO THE LIGHT SOURCE!  
RETINA INJURY RISK - MAY INDUCE BLINDNESS!  
SENSITIVE PERSONS MAY SUFFER AN EPILEPTIC SHOCK!**



**FOR USE IN INDOOR OR DRY LOCATIONS ONLY!  
DO NOT EXPOSE TO RAIN AND/OR MOISTURE!**



**FIXTURE SHOULD BE PLACED A MINIMUM OF 1.0 FOOT (0.3 METERS) FROM ANY NEARLY OBJECTS OR SURFACES.  
FIXTURE SHOULD BE PLACED A MINIMUM OF 1.6 FEET (0.5 METERS) FROM ANY FLAMMABLE MATERIALS.  
MAXIMUM AMBIENT OPERATING TEMPERATURE IS 113°F (45°C)**

# SAFETY GUIDELINES

*For Your Own Personal Safety, Please Read and Understand This Manual Completely Before You Attempt To Install Or Operate This Unit!*

- **IP20 Rating: Fixture is protected against intrusion by solids measuring roughly 12.5mm in size or larger, such as human fingers. THE FIXTURE IS NOT PROTECTED AGAINST LIQUIDS OR MOISTURE OF ANY KIND!**
- Do not touch the fixture housing during operation, as it may be hot.
- Do not shake the fixture, and avoid using brute force when installing and/or operating.
- Use only the original packaging and materials to transport or ship the fixture for service. Make sure to retain the original packaging for this purpose.
- Be sure that the local power outlet matches the required voltage for the device.
- Do not open up the device for any reason. There are no user serviceable parts inside.
- Disconnect the device's main power when left unused for long periods of time.
- Never connect this device to a dimmer pack.
- Do not attempt to operate this device if it has been damaged in any way.
- Never operate this device with the cover removed.
- Do not attempt to operate this device if the power cord has been frayed or broken.
- Never force a power cord connector into the fixture. If the power cord or any of its connectors are damaged, replace immediately with a new cord of the same power rating.
- Do not attempt to remove or break off the ground prong from the electrical cord. This prong is used to reduce the risk of electrical shock and fire in case of an internal short.
- Only handle the power cord by the plug end. Never disconnect the plug by tugging on the wire portion of the power cord.
- Disconnect from main power before making any type of connection.
- Never block the air ventilation slots. Always be sure to mount this device in an area that will allow proper ventilation. Allow about 6" (15cm) between this device and a wall.
- Always mount this unit in a safe and stable matter.
- Please route your power cord out of the way of foot traffic. Power cords should be routed so they are not likely to be walked on or pinched by items placed upon or against them.
- Before performing any servicing, turn off and disconnect the device from power and allow at least 15 minutes for the device to cool.
- Consistent operational breaks will ensure that this fixture will function properly for many years.
- The device should be serviced by qualified service personnel when:
  - A. The power-supply cord or the plug has been damaged.
  - B. Objects have fallen on, or liquid has been spilled into, the device.
  - C. The device has been immersed in liquid or exposed to moisture.
  - D. The appliance does not appear to operate normally or exhibits a marked change in performance.
- **Keep all flammable materials away from this fixture!**

# MAINTENANCE GUIDELINES



**DISCONNECT POWER BEFORE PERFORMING ANY MAINTENANCE!**

## CLEANING

Frequent cleaning is recommended to ensure proper function, optimized light output, and an extended life. The frequency of cleaning depends on the environment in which the fixture operates: damp, smoky or particularly dirty environments can cause greater accumulation of dirt on the fixture's optics. Clean periodically with a soft cloth to avoid dirt/debris accumulation.

**NEVER** use alcohol, solvents, or ammonia-based cleaners.

## MAINTENANCE

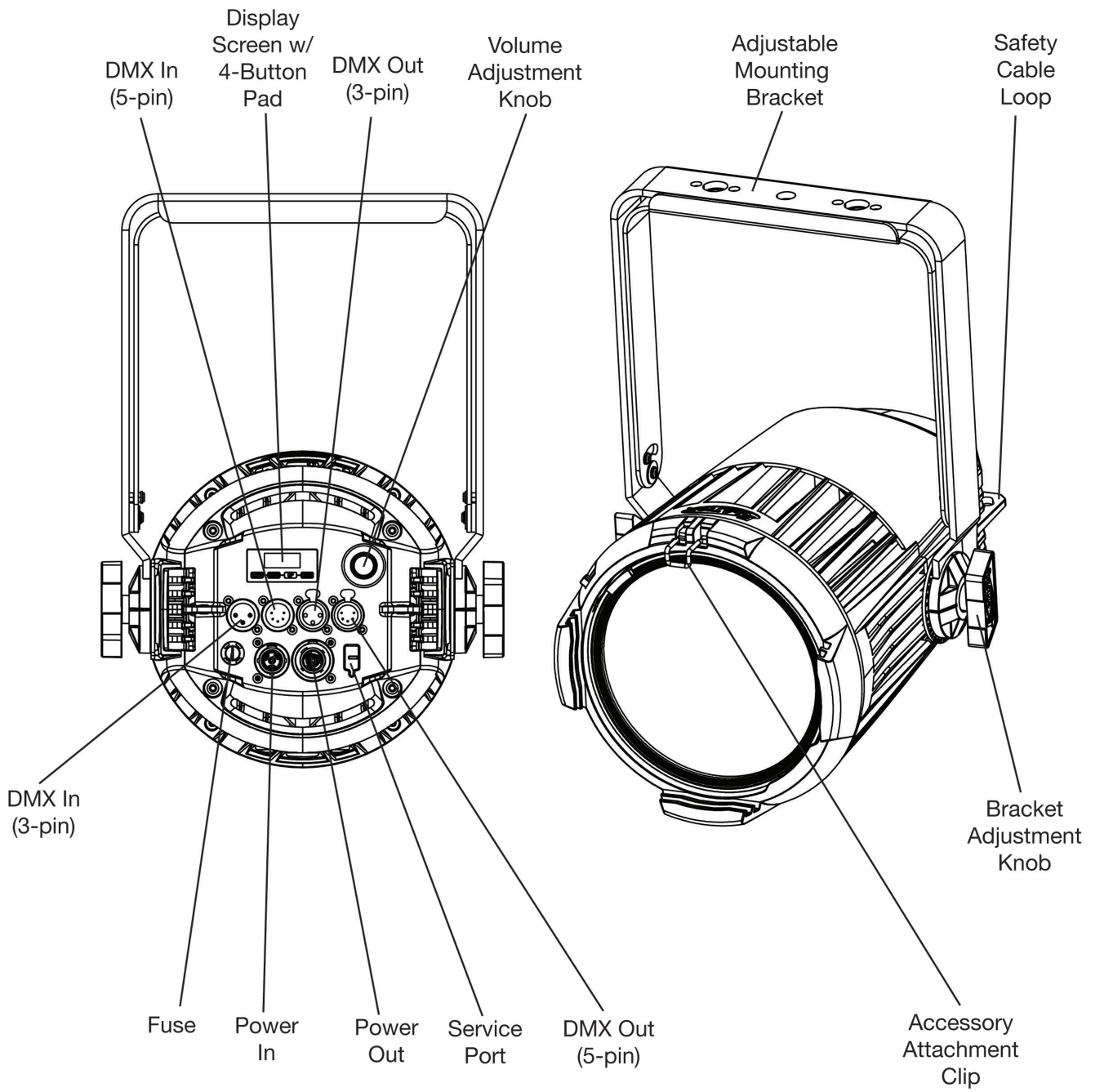
Regular inspections are recommended to insure proper function and extended life. There are no user serviceable parts inside this fixture. Please refer all other service issues to an authorized Elation service technician. Should you need any spare parts, please order genuine parts from an authorized Elation dealer.

Please refer to the following points during routine inspections:

- A detailed electrical check by an approved electrical engineer every three months, to make sure the circuit contacts are in good condition and prevent overheating.
- Be sure all screws and fasteners are securely tightened at all times. Loose screws may fall out during normal operation, resulting in damage or injury as larger parts could fall.
- Check for any deformations on the housing, color lenses, rigging hardware and rigging points (ceiling, suspension, trussing). Deformations in the housing could allow for dust to enter into the fixture. Damaged rigging points or unsecured rigging could cause the fixture to fall and seriously injure a person(s).
- Electric power supply cables must not show any damage, material fatigue or sediments.



# OVERVIEW



# FIXTURE INSTALLATION



## **FLAMMABLE MATERIAL WARNING**

Keep fixture minimum 5.0 feet (1.5m) away from flammable materials and/or pyrotechnics.



## **ELECTRICAL CONNECTIONS**

A qualified electrician should be used for all electrical connections and/or installations.



## **MINIMUM DISTANCE TO OBJECTS/SURFACES IS 1 FOOT (0.3 METERS)**



## **MINIMUM DISTANCE OF FLAMMABLE MATERIALS FROM THE SURFACE IS 1.6 FEET (0.5 METER)**



## **MAXIMUM AMBIENT TEMPERATURE 113° F (45°C)**



## **DO NOT INSTALL THE FIXTURE IF YOU ARE NOT QUALIFIED TO DO SO!**

Fixture **MUST** be installed following all local, national, and country commercial electrical and construction codes and regulations.

Before rigging/mounting a single fixture or multiple fixtures to any metal truss/structure or placing the fixture(s) on any surface, a professional equipment installer **MUST** be consulted to determine if the metal truss/structure or surface is properly certified to safely hold the combined weight of the fixture(s), clamps, cables, and accessories.

Fixture(s) should be installed in areas outside walking paths, seating areas, or away from areas where unauthorized personnel might reach the fixture by hand.

**NEVER** stand directly below the fixture(s) when rigging, removing, or servicing.

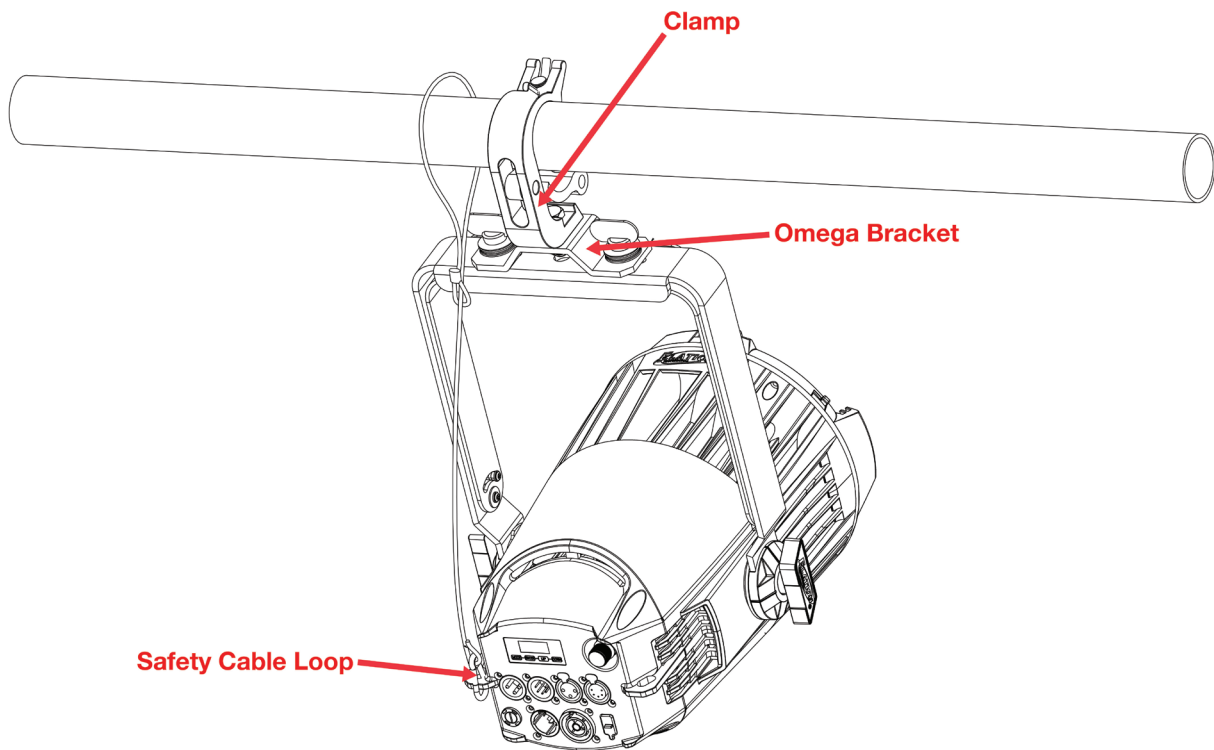
Overhead fixture installation must always be secured with a secondary safety attachment, such as an appropriately rated safety cable.

Allow approximately 15 minutes for the fixture to cool down before serving.

# FIXTURE INSTALLATION

## CLAMP INSTALLATION

This device features a mounting clamp attachment point built into the mounting bracket, as well as two safety cable attachment points located on the rear face of the fixture on either side of the control panel (see the illustration below). When mounting the fixture to a truss or any other suspended or overhead installation, be sure to secure an appropriately rated clamp (not included) to the clamp attachment point and attach a separate **SAFETY CABLE** of the appropriate safety rating to the safety cable rigging point.



**ALWAYS ATTACH A SAFETY CABLE WHENEVER INSTALLING THIS FIXTURE IN A SUSPENDED ENVIRONMENT TO ENSURE THAT THE FIXTURE WILL NOT FALL IF THE CLAMP FAILS.**

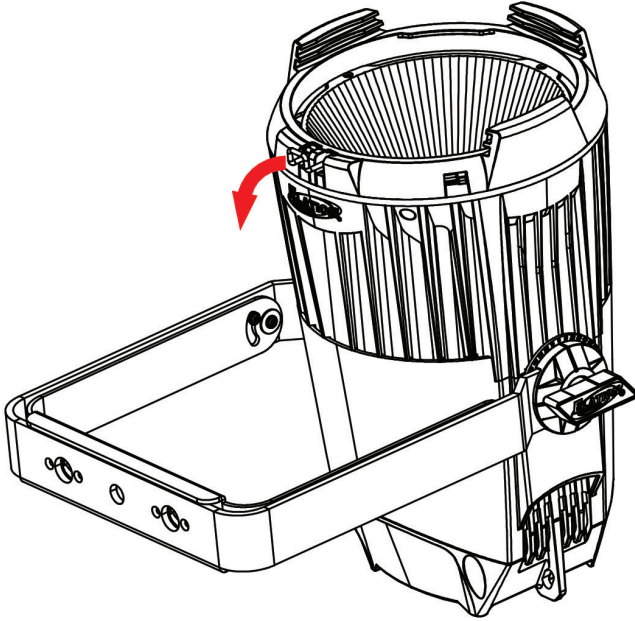
## RIGGING

Overhead rigging requires extensive experience, including but not limited to: calculating working load limits, understanding the installation material being used, and periodic safety inspection of all installation material and the fixture itself. If you lack these qualifications, do not attempt to perform the installation yourself. Improper installation can result in bodily injury.

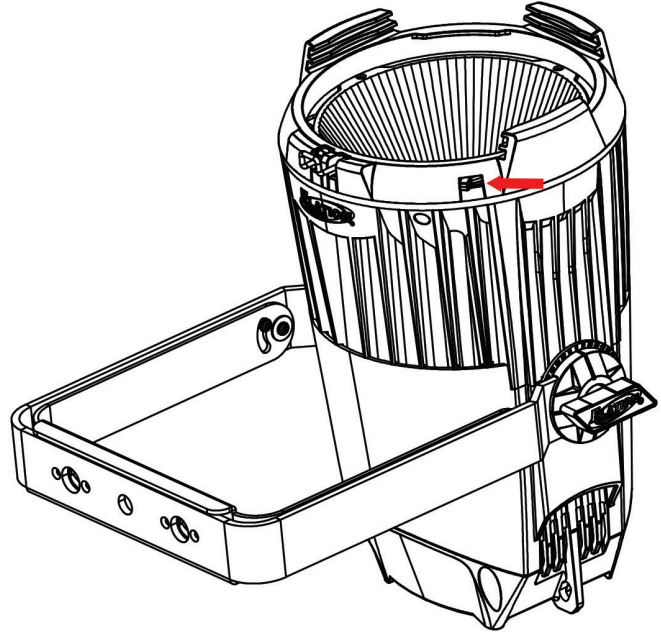
# ACCESSORY INSTALLATION

## LENS INSTALLATION

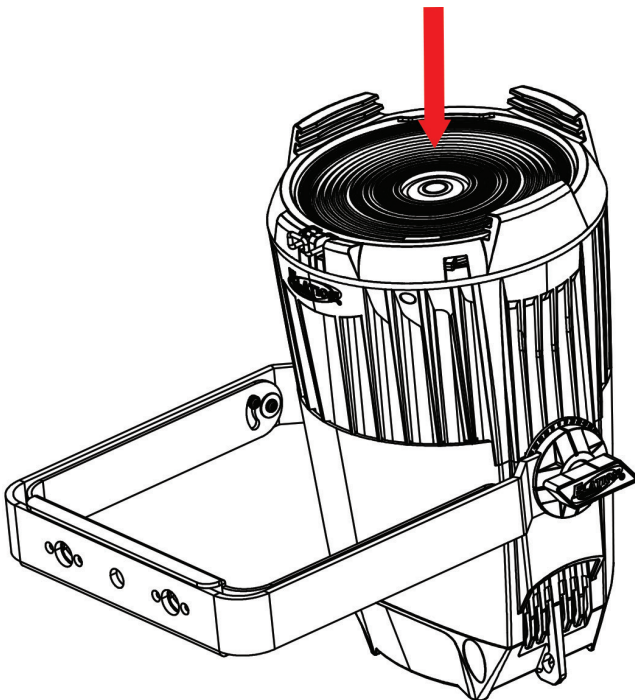
1. Flip the retaining clip located near the top of the lens.



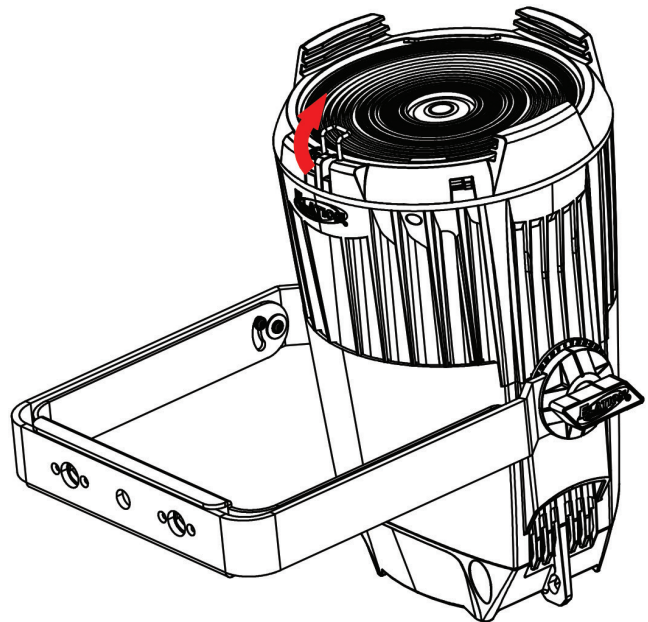
2. Push the latch towards the location of the retaining clip. Hold the latch in this position.



3. While holding the latch in place, slide the desired lens into place. Then release the latch. It will automatically move back into the locked position when released.



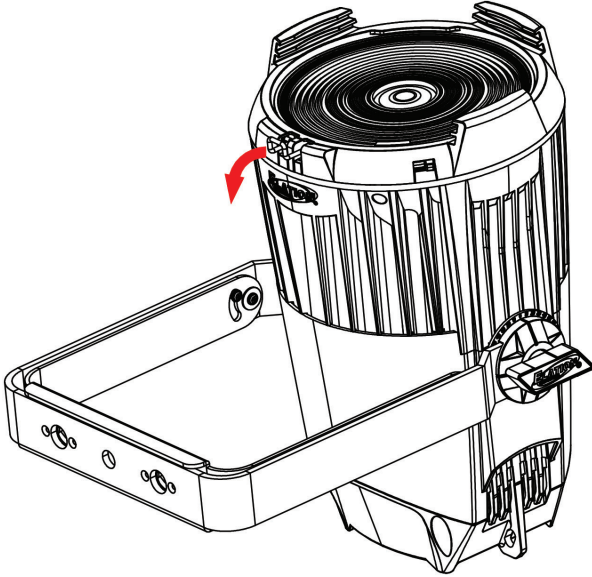
4. Return the retaining clip to the original position.



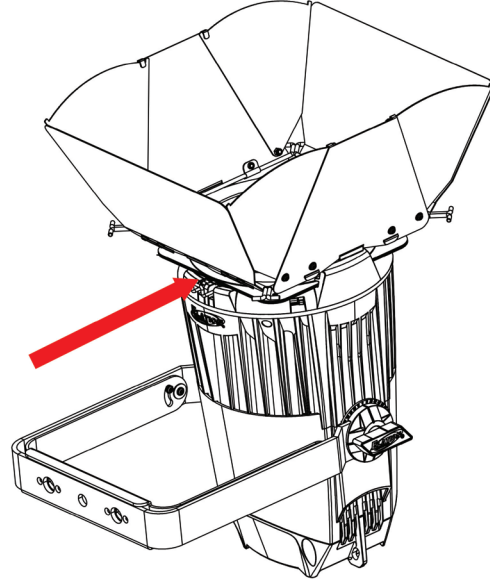
# ACCESSORY INSTALLATION

## BARNDOOR INSTALLATION

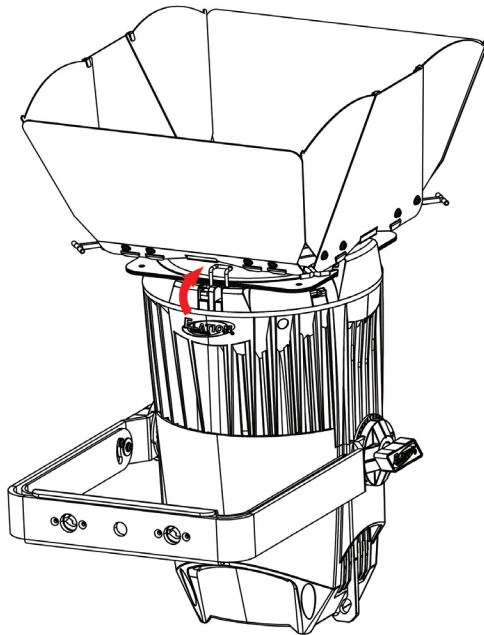
1. Flip the retaining clip located near the top of the lens.



2. Slide the barn door into place in one of the vacant accessory slots on the front of the fixture.



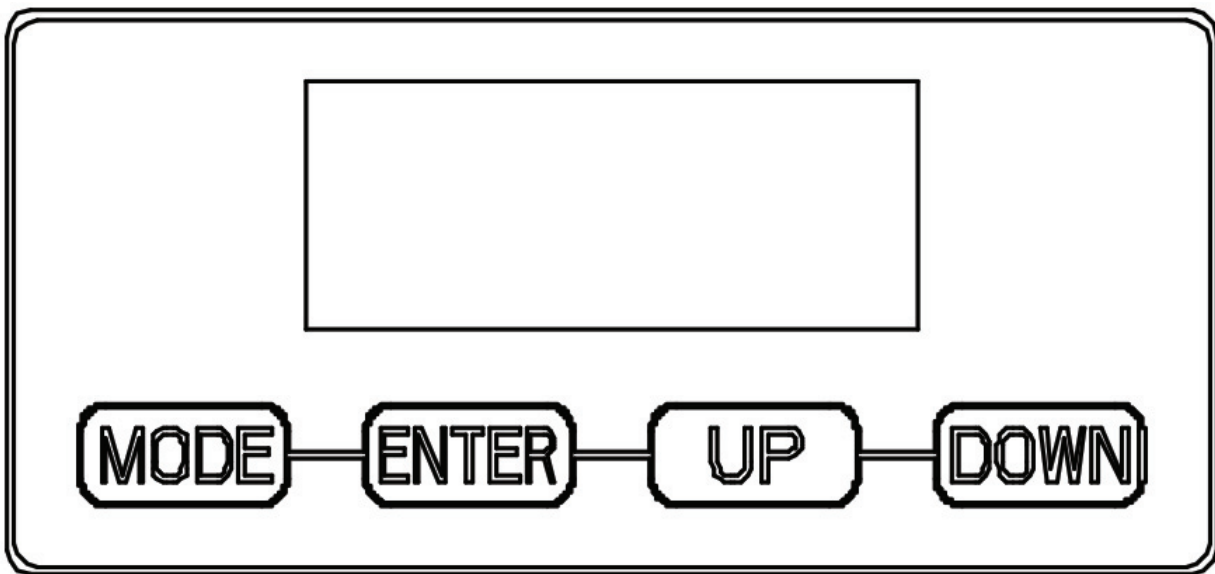
3. Return the retaining clip to the original position to lock the barn door in place.



## CONTROL PANEL

The fixture includes an easy to navigate system menu. The control panel display is located on the rear panel of the fixture (see image below) and provides access to the main system menu, where all necessary system adjustments are made to the fixture. During normal operation, pressing the MODE button once will access the fixture's main menu. Once in the main menu you can navigate through the different functions and access the sub-menus with the DOWN and UP buttons. Once you reach a field that requires adjusting, press the ENTER button to activate that field and use the DOWN and UP buttons to adjust the field. Pressing the ENTER button once more will confirm the setting. Exit the main menu at any time without making any adjustments by pressing the MODE button.

The display screen will shut OFF automatically after 30 seconds of inactivity. To turn the display back on, press and hold the MODE button for 3 seconds.



# REMOTE DEVICE MANAGEMENT (RDM)

**NOTE: In order for RDM to work properly, RDM enabled equipment must be used throughout the entire system, including DMX data splitters and wireless systems.**

Remote Device Management (RDM) is a protocol that sits on top of the DMX512 data standard for lighting, and allows the DMX systems of the fixtures to be modified and monitored remotely. This protocol is ideal for instances in which a unit is installed in a location that is not easily accessible.

With RDM, the DMX512 system becomes bi-directional, allowing a compatible RDM enabled controller to send out a signal to devices on the wire, as well as allowing the fixture to respond (known as a GET command). The controller can then use its SET command to modify settings that would typically have to be changed or viewed directly via the unit’s display screen, including the DMX Address, DMX Channel Mode, and Temperature Sensors.

## FIXTURE RDM INFORMATION:

Device ID	Device Model ID	RDM Code	Personality ID
0000-FFF	001E	0X22A6	001 DIMMER 01CH 002 DIMMER COLOR 06CH 003 STANDARD 11CH 004 EXTENDED 18CH 005 CMY 09CH 006 CMY EXTENDED 14CH

Please be aware that **not all RDM devices support all RDM features**, and therefore it is important to check beforehand to ensure that the equipment that you are considering includes all of the features that you require.

The following parameters are accessible in RDM on this device:

[0x0011] Proxied Device Count	[0x0032] Clear Status ID	[0x0603] Realtime Clock
[0x0200] Sensor Definition	[0x0401] Lamp Hours	[0x1010] Power State
[0x0201] Sensor Value	[0x0402] Lamp Strikes	[0x1031] Preset Playback
[0x0080] Device Model Description	[0x0403] Lamp State	[0x0122] Default Slot Value
[0x0081] Manufacturer Label	[0x0404] Lamp Mode	[0x00B0] Language
[0x0082] Device Label	[0x0405] Device Power Cycles	[0x00A0] Language Capabilities
[0x00E0] DMX Personality	[0x0600] Pan Invert	[0x00C2] Boot Software Version Label
[0x00E1] DMX Personality Description	[0x0601] Tilt Invert	[0x00C1] Boot Software Version ID
[0x0400] Device Hours	[0x0602] Pan Tilt Swap	[0x0070] Product Detail ID List
[0x0015] Comms Status	[0x0500] Display Invert	[0x0030] Status Messages
[0x0031] Status ID Description	[0x0501] Display Level	[0x1001] Reset Device

# SYSTEM MENU

ELATION KL PAR FC			
Supports Software Versions: <b>1.03</b>			
<b>ENCODER MODE</b>	Disabled	For use when running fixture in DMX mode	
	Dimmer	For use when running fixture in dimmer mode	
	Int CCT Grn	For use when running fixture in CCT mode with encoder control	
	Int Color Sat	For use when running fixture in color mode with encoder control	
	Manual Control	For use when running fixture in manual control mode with encoder control	
<b>DMX SETTINGS</b>	DMX Address	<b>001</b> - 512	
	DMX Mode	<b>1CH Dimmer</b>	
		6CH Dimmer Color	
		11CH Standard	
		18CH Extended	
		9CH CMY	
		14CH CMY Ex	
	No DMX Status	<b>Hold Last</b>	
		Fade to Black	
Standalone			
<b>STANDALONE</b>	Dimmer	000% - <b>100%</b>	
	CCT	2400K - 8500K (Default = <b>6000K</b> ).	
	Green Shift	-100% ~ +100% (Default = <b>0</b> )	
	Virtual Color	See <b>Color Macros</b>	
<b>PERSONALITY</b>	Primary	On / <b>Off</b>	
	Secondary	On / <b>Off</b>	
	Dim Modes	Standard	
		Stage	
		TV	
		Architectural	
		Theatre	
		Stage 2	
		Dim Speed	0s - 10s (Default = <b>0.1s</b> )
	Dim Curves	<b>Linear</b>	
		Square	
		Square Inverse	
S-Curve			
CONTINUED ON NEXT PAGE			



# SYSTEM MENU

ELATION KL PAR FC			
Supports Software Versions: <b>1.03</b>			
<b>PERSONALITY</b>	LED Refresh Rate	900Hz - 1500Hz, 2500Hz, 4000Hz, 5000Hz, 6000Hz, 10KHz, 15KHz, 20KHz, 25KHz (Default = <b>1200 Hz</b> )	
	LED Power Limit	50%	
		60%	
		70%	
		80%	
		90%	
		<b>100%</b>	
	Fan Mode	<b>Auto</b>	
		Silent	
		High	
	Display	Screen Delay	10s - 5min (Default = <b>1 min</b> )
		Screen Lock	<b>Off</b> , 10s - 5 min
		Rotate Display	Yes / <b>No</b> / Auto
	Service (Passcode = 050)	Calibration	Red 000 - 255
			Green 000 - 255
			Blue 000 - 255
			Mint 000 - 255
			Amber 000 - 255
Update Software		On / <b>Off</b>	
Factory Restore		Yes / <b>No</b>	
Edit RDM UID			
<b>INFORMATION</b>	Life Time		
	Last Run Time		
	Time Reset	Passcode = 038	
	Temperature	Current	
		Max Resettable	
		Reset	Passcode = 038
	DMX Values	Red	
		Green	
		...	
	Product IDs	RDM UID	
	Error Logs	Fixture Errors	
		Reset Error Log	Yes / <b>No</b> (Passcode = 050)
Software Version			

# ENCODER FUNCTION

When the device has been set to Encoder mode, the lighting display can be adjusted using the knob located beside the display screen on the back of the device.

To enter Encoder mode, select the ENCODER MODE option from the main system menu, as described in the System Menu section of this manual. Then use the UP and DOWN buttons to scroll through the different modes. Each mode is represented by one of the tables below. Press ENTER to select the mode that is currently displayed.

Once an Encoder Mode has been selected, press the knob to cycle through the available Parameter options. When the desired Parameter is displayed on the screen, simply turn the knob to adjust the value of that Parameter.

DIMMER MODE			
PARAMETER	VALUE	RESOLUTION	DEFAULT
Intensity	Intensity 0-100%	1%	0%

INT CCT GRN MODE			
PARAMETER	VALUE	RESOLUTION	DEFAULT
Intensity	Intensity 0-100%	1%	0%
Color Temperature	CCT 2400 - 8500K	100K	6000K
Green Shift	GRN -100% to +100%	1%	Neutral

INT COLOR SAT MODE			
PARAMETER	VALUE	RESOLUTION	DEFAULT
Intensity	Intensity 0-100%	1%	0%
Color	Virtual Color 1, 2, 3, 4...	Single Color	
Saturation	Sat 0 - 100%	1%	100%

MANUAL CONTROL MODE			
PARAMETER	VALUE	RESOLUTION	DEFAULT
Intensity	Intensity 0-100%	1%	100%
Strobe	Strobe 0-255	1	0
Red	Red 0-255	1	0
Green	Green 0-255	1	0
Blue	Blue 0-255	1	0
Mint	Mint 0-255	1	0
Amber	Amber 0-255	1	0

# DMX CHANNEL FUNCTIONS

ELATION KL PAR FC							
Supports Software Versions: 1.03							
Dimmer 1CH	Dimmer Color 6CH	Standard 11CH	Extended 18CH	CMY 9CH	CMY Extended 14CH	DMX Values	Function
1	1	1	1	1	1	000 - 255	<b>Dimmer</b> , 0% to 100%
	2	2	2	2	2	000 - 255	<b>Dimmer Fine</b>
	3	3	3	3	3		<b>Strobe</b>
						000 - 031	Shutter closed
						032 - 063	No function (shutter open)
						064 - 095	Strobe effect, slow to fast
						096 - 127	No function (shutter open)
						128 - 159	Pulse effect (in sequence)
						160 - 191	No function (shutter open)
						192 - 223	Random strobe effect, slow to fast
						224 - 255	No function (shutter open)
				4	4	000 - 255	<b>Cyan</b> , 0% - 100%
					5	000 - 255	<b>Cyan Fine</b>
				5	6	000 - 255	<b>Magenta</b> , 0% - 100%
					7	000 - 255	<b>Magenta Fine</b>
				6	8	000 - 255	<b>Yellow</b> , 0% - 100%
					9	000 - 255	<b>Yellow Fine</b>
		4	4			000 - 255	<b>Red</b> , 0% - 100%
			5			000 - 255	<b>Red Fine</b>
		5	6			000 - 255	<b>Green</b> , 0% - 100%
			7			000 - 255	<b>Green Fine</b>
		6	8			000 - 255	<b>Blue</b> , 0% - 100%
			9			000 - 255	<b>Blue Fine</b>
		7	10			000 - 255	<b>Mint</b> , 0% - 100%
			11			000 - 255	<b>Mint Fine</b>
		8	12			000 - 255	<b>Amber</b> , 0% - 100%
			13			000 - 255	<b>Amber Fine</b>

CONTINUED ON NEXT PAGE

# DMX CHANNEL FUNCTIONS

ELATION KL PAR FC							
Supports Software Versions: 1.03							
Dimmer 1CH	Dimmer Color 6CH	Standard 11CH	Extended 18CH	CMY 9CH	CMY Extended 14CH	DMX Values	Function
							<b>CTO</b>
	4	9	14	7	10	000 - 023	Open
						024 - 085	CTO 2400K - 8500K (see <b>Color Temperature Table</b> )
						086 - 255	8500K
							<b>Color Wheel</b>
						000	Open
						001 - 179	Virtual Swatch Book (see <b>Virtual Swatch Book Table</b> )
							<b>Color Scroll</b>
						180 - 201	Clockwise, fast to slow
						202 - 207	Stop
						208 - 229	Counter-clockwise, slow to fast
						230 - 234	Open
							<b>Random Slots</b>
						235 - 239	Fast
						240 - 244	Medium
						245 - 249	Slow
						250 - 255	Open
							<b>Green Shift</b>
						000	Idle
			16		12	001 - 127	Full Minus Green to Neutral
						128	Neutral White
						129 - 255	Neutral to Full Plus Green
							<b>Dim Modes</b>
						000 - 020	Standard
						021 - 040	Stage
						041 - 060	TV
						061 - 080	Architectural
						081 - 100	Theatre
						101 - 120	Stage 2
CONTINUED ON NEXT PAGE							

# DMX CHANNEL FUNCTIONS

ELATION KL PAR FC							
Supports Software Versions: 1.03							
Dimmer 1CH	Dimmer Color 6CH	Standard 11CH	Extended 18CH	CMY 9CH	CMY Extended 14CH	DMX Values	Function
							<b>Dimmer Delay Time</b>
						121	0s
						122	0.1s
						123	0.2s
						124	0.3s
						125	0.4s
						126	0.5s
						127	0.6s
						128	0.7s
						129	0.8s
						130	0.9s
			17		13	131	1.0s
						132	1.5s
						133	2.0s
						134	3.0s
						135	4.0s
						136	5.0s
						137	6.0s
						138	7.0s
						139	8.0s
						140	9.0s
						141	10s
						142 - 255	Idle
							<b>Control</b>
						000 - 029	Idle
						030 - 039	Fan Mode Auto
						040 - 049	Fan Mode Silent
						050 - 059	Fan Mode High
	6	11	18	9	14	060 - 099	Idle
CONTINUED ON NEXT PAGE							

# DMX CHANNEL FUNCTIONS

ELATION KL PAR FC							
Supports Software Versions: 1.03							
Dimmer 1CH	Dimmer Color 6CH	Standard 11CH	Extended 18CH	CMY 9CH	CMY Extended 14CH	DMX Values	Function
							<i>Refresh Rate (Hz)</i>
						100	900
						101	910
						102	920
						103	930
						104	940
						105	950
						106	960
						107	970
						108	980
						109	990
						110	1000
						111	1010
						112	1020
						113	1030
						114	1040
	6	11	18	9	14	115	1050
						116	1060
						117	1070
						118	1080
						119	1090
						120	1100
						121	1110
						122	1120
						123	1130
						124	1140
						125	1150
						126	1160
						127	1170
						128	1180
						129	1190
						130	1200
						131	1210

CONTINUED ON NEXT PAGE

# DMX CHANNEL FUNCTIONS

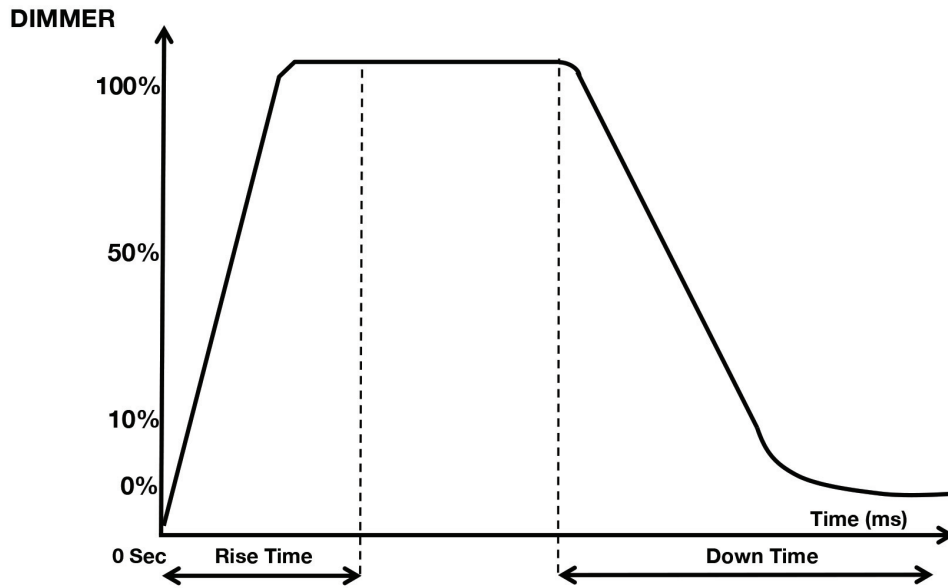
ELATION KL PAR FC							
Supports Software Versions: 1.03							
Dimmer 1CH	Dimmer Color 6CH	Standard 11CH	Extended 18CH	CMY 9CH	CMY Extended 14CH	DMX Values	Function
							<i>Refresh Rate (Hz) (continued)</i>
						132	1220
						133	1230
						134	1240
						135	1250
						136	1260
						137	1270
						138	1280
						139	1290
						140	1300
						141	1310
						142	1320
						143	1330
						144	1340
						145	1350
	6	11	18	9	14	146	1360
						147	1370
						148	1380
						149	1390
						150	1400
						151	1410
						152	1420
						153	1430
						154	1440
						155	1450
						156	1460
						157	1470
						158	1480
						159	1490
						160	1500
						161	2500
						162	4000
CONTINUED ON NEXT PAGE							

# DMX CHANNEL FUNCTIONS

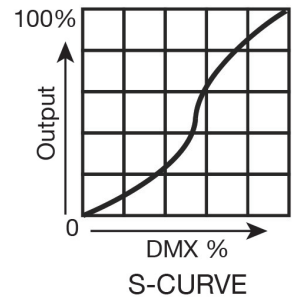
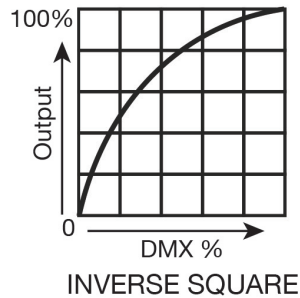
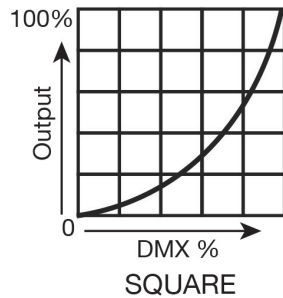
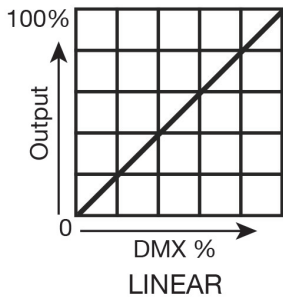
ELATION KL PAR FC							
Supports Software Versions: 1.03							
Dimmer 1CH	Dimmer Color 6CH	Standard 11CH	Extended 18CH	CMY 9CH	CMY Extended 14CH	DMX Values	Function
							<b>Refresh Rate (Hz) (continued)</b>
						163	5000
						164	6000
						165	10000
						166	15000
						167	20000
						168	25000
	6	11	18	9	14	169 - 200	Idle
						201 - 210	Dimmer Curve Linear (Default)
						211 - 220	Dimmer Curve Square
						221 - 230	Dimmer Curve Inverse Square
						231 - 240	Dimmer Curve S-Curve
						241 - 255	Idle



# DIMMER MODES & CURVES



Dimming Curve Ramp Effect	0 sec Fade Time		1 sec Fade Time	
	Rise Time (ms)	Down Time (ms)	Rise Time (ms)	Down Time (ms)
Standard (default)	0	0	0	0
Stage	780	1100	1540	1660
TV	1180	1520	1860	1940
Architectural	1380	1730	2040	2120
Theatre	1580	1940	2230	2280
Stage 2	0	1100	0	1660



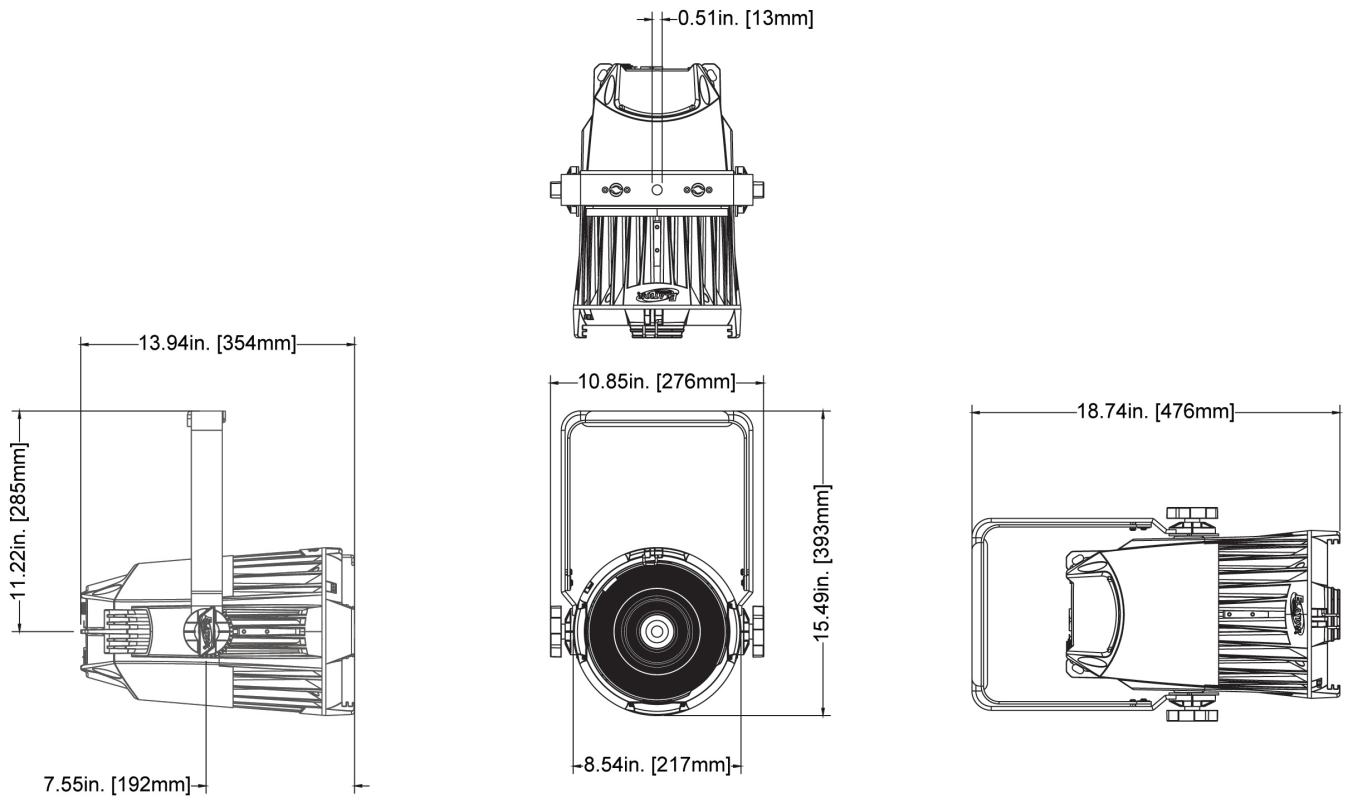
# COLOR TEMPERATURE CHART

DMX VALUE	COLOR TEMPERATURE (K)	DMX VALUE	COLOR TEMPERATURE (K)
024	2400	055	5500
025	2500	056	5600
026	2600	057	5700
027	2700	058	5800
028	2800	059	5900
029	2900	060	6000
030	3000	061	6100
031	3100	062	6200
032	3200	063	6300
033	3300	064	6400
034	3400	065	6500
035	3500	066	6600
036	3600	067	6700
037	3700	068	6800
038	3800	069	6900
039	3900	070	7000
040	4000	071	7100
041	4100	072	7200
042	4200	073	7300
043	4300	074	7400
044	4400	075	7500
045	4500	076	7600
046	4600	077	7700
047	4700	078	7800
048	4800	079	7900
049	4900	080	8000
050	5000	081	8100
051	5100	082	8200
052	5200	083	8300
053	5300	084	8400
054	5400	085	8500

# COLOR MACROS CHART

DMX Values	Filter Number	Name	DMX Values	Filter Number	Name
1	7	Pale Yellow	28	113	Magenta
2	103	Straw	29	46	Dark Magenta
3	151	Gold Tint	30	48	Rose Purple
4	100	Spring Yellow	31	126	Mauve
5	10	Medium Yellow	32	49	Medium Purple
6	101	Yellow	33	58	Lavender
7	104	Deep Amber	34	199	Palace Blue
8	15	Deep Straw	35	119	Dark Blue
9	179	Loving Amber	36	132	Medium Blue
10	21	Gold Amber	37	120	Deep Blue
11	105	Orange	38	165	Daylight Blue
12	158	Deep Orange	39	161	Slate Blue
13	22	Dark Amber	40	118	Light Blue
14	778	Millennium Gold	41	68	Sky Blue
15	135	Deep Golden Amber	42	143	Pale Navy Blue
16	24	Scarlet	43	131	Marine Blue
17	106	Primary Red	44	115	Peacock Blue
18	26	Bright Red	45	172	Lagoon Blue
19	27	Medium Red	46	116	Medium Blue Green
20	19	Fire	47	90	Dark Yellow Green
21	157	Pink	48	139	Primary Green
22	36	Medium Pink	49	122	Fern Green
23	111	Dark Pink	50	89	Moss Green
24	128	Bright Pink	51	124	Dark Green
25	148	Bright Rose	52	88	Lime Green
26	332	Special Rose Pink	53	138	Pale Green
27	793	Vanity Fair	54-179		No function

# DIMENSIONAL DRAWINGS



# SPECIFICATIONS

## SOURCE

280W 6500K RGBMA LED Engine  
50,000 Hour Average LED Life\*

\*May vary depending on several factors including but not limited to:  
Environmental Conditions, Power/Voltage, Usage Patterns (On-Off Cycling),  
Control and Dimming.

## PHOTOMETRIC DATA

11,000 Total Lumen Output  
CRI 92  
TLCI 95

## INCLUDED LENSES

VNSP (11°)  
NSP (22°)  
MFL (30°)  
WFL (52°)

## EFFECTS

Electronic Dimmer and Strobe  
Variable 16-bit Dimming Modes and Curves

## COLOR

RGBMA Color Array  
CMY Emulation  
Variable CCT 2,400K - 8,500K  
Green/Magenta Shift  
Virtual Gel Swatch Book

## CONTROL / CONNECTIONS

6 DMX Channel Modes (1 to 17 channels)  
Manual and DMX Controlled Dimmer and Color  
Single Rotary Dial  
4 Button Control Panel, LED Display  
RDM (Remote Device Management)  
3/5pin DMX and IP65 Locking Power Cable In/Out

## SIZE / WEIGHT

Length: 10.85" (276mm)  
Width: 13.94" (354mm)  
Vertical Height: 15.49" (393mm)  
Weight: 16.27 lbs. (7.38kg)

## ELECTRICAL / THERMAL

AC 100-240V - 50/60Hz  
284W Max Power Consumption  
5°F to 113°F (-15°C to 45°C)  
BTU/Hr (+/- 10%): 891.76

## INCLUDED ITEMS

7.5" Gel Frame  
4x Lenses (11°, 22°, 30°, 52°)  
IP65 Locking Power Cable

## OPTIONAL ITEMS

7.5" Barndoors  
XWFL (90°) Lens  
23° Ovalizer Lens

## APPROVALS / RATINGS

(pending) CE | cETLus | IP20

## ORDERING INFORMATION

ITEM DESCRIPTION	SKU
Elation KL Par FC	KLP500
7.5" Barndoors	KLP959
Glass Ovalizer Lens	KLP988
XWFL Lens	KLP987

## ERROR CODES

CODE	ERROR
TEMP	Temperature Error

(page intentionally left blank)

