

FANTEK®

LIFTERS, PLATFORMS & TRUSS

SPARE PARTS MANUAL FOR
TOP LOAD LIFT SYSTEMS

MANUAL DE REPUESTOS PARA
SISTEMAS ELEVADORES DE
CARGA SUPERIOR

FOR MODELS:

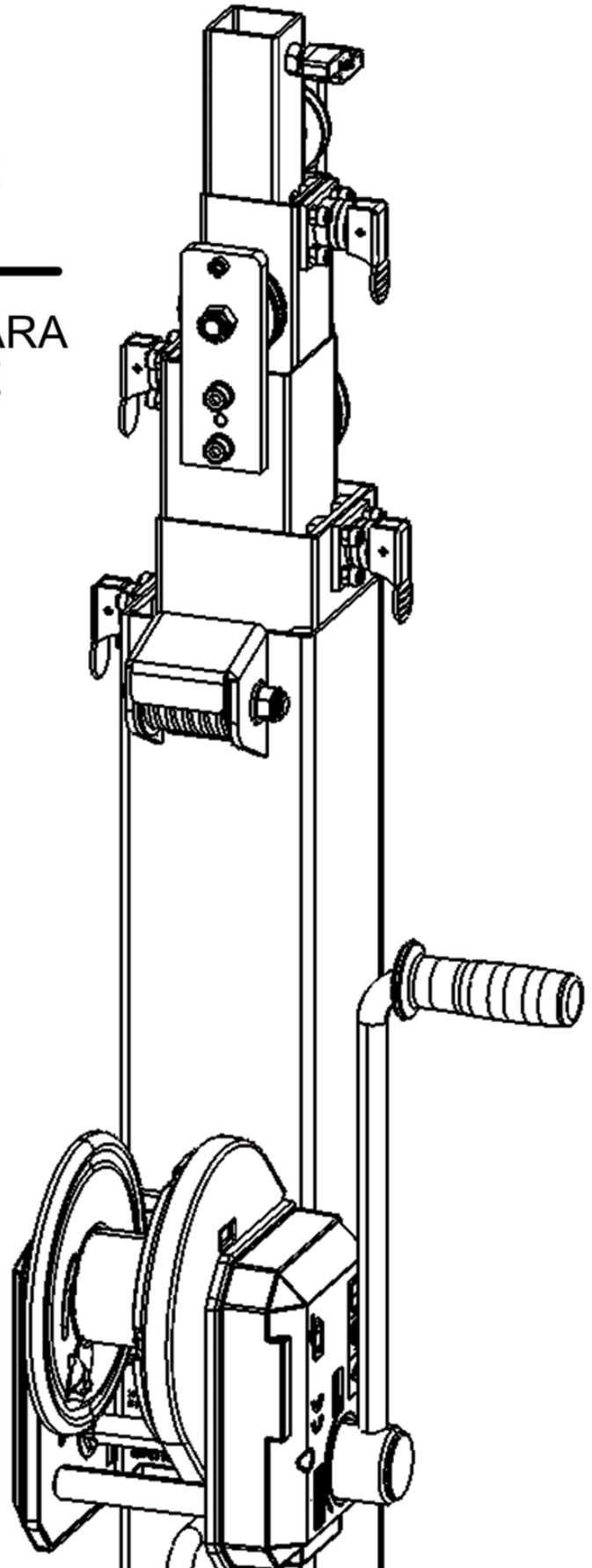
T101D - T102D - T103D
T105D - T106D

PARA MODELOS:

T101D - T102D - T103D
T105D - T106D



www.fantek.es



FANTEK®

LIFTERS, PLATFORMS & TRUSS

FANTEK INDUSTRIAL S.L.
C/Traginers, 4. P.I. - L'Alter,
Alcàsser – Valencia SPAIN
T +34 961 260 168
fanter@fanter.es

INTRODUCCIÓN	4
INTRODUCTION	5
RECAMBIOS BASES Y TRAMOS / BASES AND MASTS SPARE PARTS	6
T101D	6
T102D	8
T103D	10
T105D	12
T106D	14
RECAMBIOS PATAS / SPINDLE SPARE	16
T102D / T103D	16
T105D	16
T106D	16
RECAMBIOS NIVELADOR PATAS / LEG SPINDLE SPARE	17
T102D / T103D / T105 / T106D	17
RECAMBIOS PORTAPOLEAS / PULLEY SPARE	18
RECAMBIOS POLEAS INTERNAS / INTERNAL PULLEY SPARE	20
RECAMBIOS MOSQUETONES / SAFETY LOCKS SPARE	22
RECAMBIOS POLEA WIRE DRIVE / WIRE DRIVE PULLEY SPARE	23
RECAMBIOS CABLE / CABLE SPARE	24
RECAMBIOS CABRESTANTE / WINCH SPARE	25
RECAMBIOS CONTERA / NOZZLE SPARE	26
RECAMBIOS PORTADOCUMENTOS / DOCUMENTS HOLDER SPARE	27
RECAMBIOS PATIN AJUSTE / ADJUSTMENT SHOE SPARE	28
RECAMBIOS PEGATINAS / STICKERS SPARE	29
T101D	29
T102D	30
T103D	31
T105D	32
T106D	33
PEGATINAS PATAS / LEG STICKERS	34

INTRODUCCIÓN

A continuación, se incluyen las partes que conforman los recambios de todos los modelos de torre de CARGA SUPERIOR.

NUM.	MODELO TORRE / TOWER MODEL	REF.	CONTIENE / INCLUDES	
			CANT./QTY	DETALLE / DETAIL
1	T101D	SETSPRO01	1	Perfil / profile 40x40x1,5x595
			1	Perfil / profile 35x35x1,5x180
			1	Tornillo corto accesorios / short screw for accesories
			1	Pomo cromado / chromed handgrip
			1	Tornillo DIN936 M10 / screw DIN936 M10

- **NUM.** indica el número de referencia del dibujo del set.
- **MODELO TORRE / TOWER MODEL** indica la torre al que pertenece.
- **REF.** indica la referencia del set referido a la torre o torres.
- **CANT./QTY** y **DETALLE/DETAIL** indica la cantidad y descripción de elementos que comprende el set de la referencia indicada.

IMPORTANTE

- Para pedir un repuesto sólo es necesario indicar la referencia (REF.) y especificar su cantidad necesaria. Los números que engloban varias piezas simbolizan el pack de piezas que conforman dicho recambio.
- Los repuestos pueden sufrir algún cambio respecto a los dibujos que los representan, pero, a menos que se indique lo contrario, serán totalmente compatibles.
- En muchos de los casos, los repuestos se conforman en sets completos. No se contempla la posibilidad de separar piezas de su conjunto.
- Recuerde que la manipulación y sustitución de estos repuestos están sujetos a su realización por parte de personal cualificado y autorizado. La no observación de esta norma anularía la garantía.

INTRODUCTION

Next, the parts that make up the spare parts of all top load tower models are included.

NUM.	MODELO TORRE / TOWER MODEL	REF.	CONTIENE / INCLUDES	
			CANT./QTY	DETALLE / DETAIL
1	T101D	SETSPROLO1	1	Perfil / profile 40x40x1,5x595
			1	Perfil / profile 35x35x1,5x180
			1	Tornillo corto accesorios / short screw for accesories
			1	Pomo cromado / chromed handgrip
			1	Tornillo DIN936 M10 / screw DIN936 M10

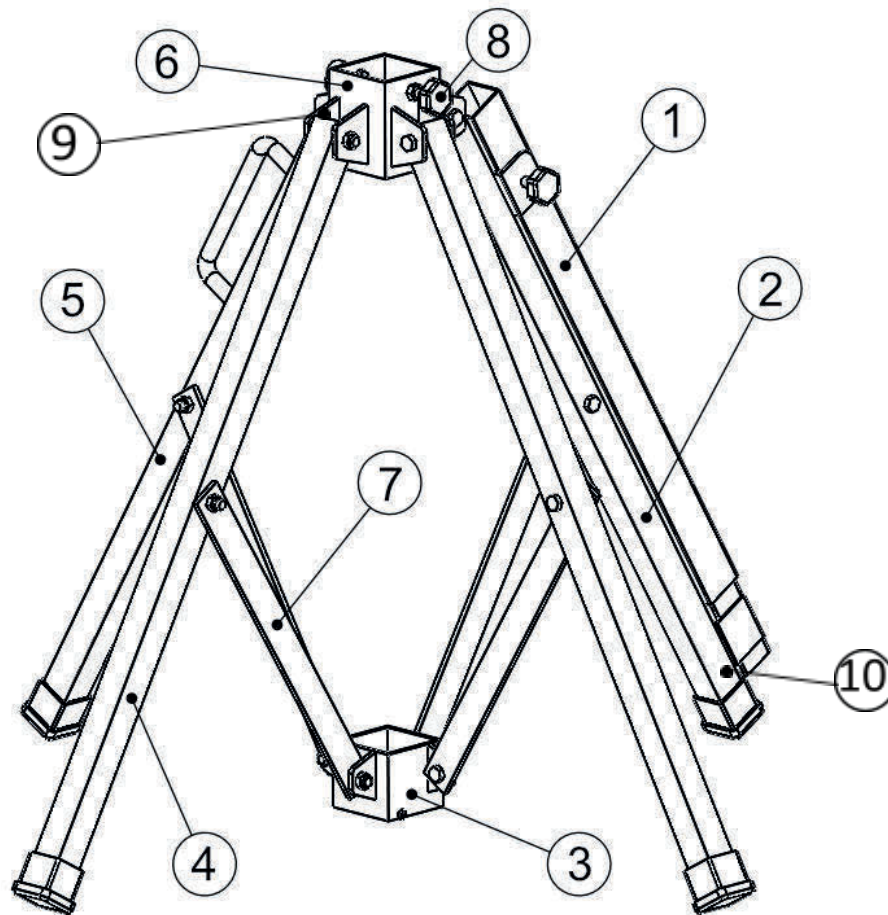
- **NUM.** indicates the reference number of the drawing in the set.
- **MODELO TORRE / TOWER MODEL** indicates the model of the tower which contains this set.
- **REF.** indicates the reference of the set in the tower or towers.
- **CANT./ QTY y DETALLE/DETAIL** indicate the quantity and description of the elements inside the set of the indicated reference.

IMPORTANT

- To order a spare, it is only necessary indicating the reference (REF.) and specify the necessary quantity. The numbers that include several pieces simbolize the pack of pieces that make up this spare part.
- In many cases, the spare parts are grouped in complete sets. The possibility of separating pieces from their set is not contemplated.
- Spare parts may suffer some changes with respect to the drawing that represent them, but unless otherwise indicated, they will be fully compatible.
- Remember that the handling and replacement of these parts are subjected to qualified service and authorized personnel. Failure to comply with this rule would void the guarantee.

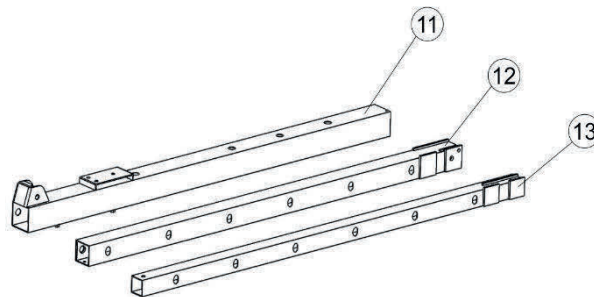
RECAMBIOS BASES Y TRAMOS / BASES AND MASTS SPARE PARTS

T101D



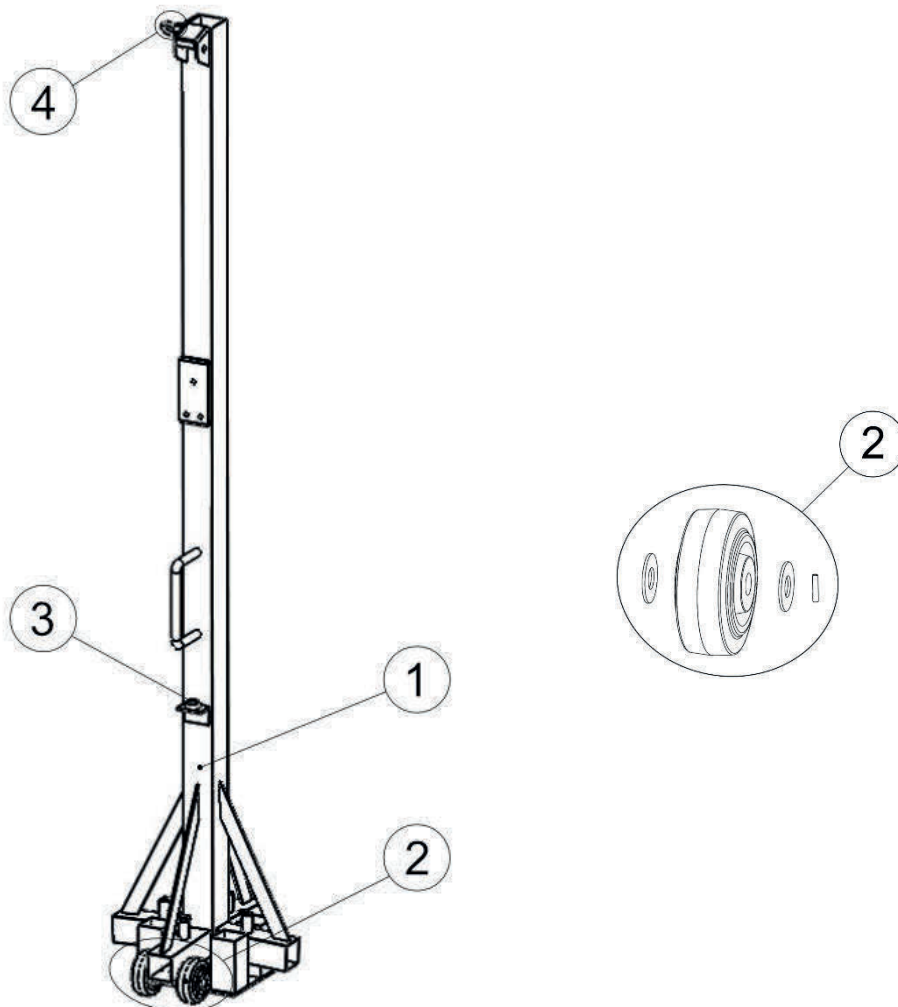
NUM.	MODELO TORRE / TOWER MODEL	REF.	CONTIENE / INCLUDES		
			CANT./QTY	DETALLE / DETAIL	
1	T101D	SETSPROL01	1	Perfil prolongador / extender profile 40x40x1,5x595	
			1	Perfil prolongador / extender profile 35x35x2x180	
			1	Tornillo corto accesorios / short screw for accesories	
			1	Pomo cromado / chromed handgrip	
			1	Tornillo / screw DIN936 M10	
2	T101D	SETSPATA10	1	Perfil pata / leg profile 40x40x1,5x50	
			1	Perfil pata / leg profile 30x30x1,5x765	
			1	Perfil pata / leg profile 50x50x3x40	
			1	Pomo negro / black handgrip M8x35	
			1	Arandela / washer DIN9021 M8	
			2	Tornillo / screw DIN931 M8x50	
			2	Tuerca / nut DIN985 M8	
			1	Tornillo / screw DIN934 M8	
			9	1	Contera interior / interior rubber stopper 30x30
			10	1	Contera exterior / outside rubber stopper 30x30

NUM.	MODELO TORRE / TOWER MODEL	REF.	CONTIENE / INCLUDES	
			CANT./QTY	DETALLE / DETAIL
3	T101D	SETSFUJ001	1	Perfil fijo / fixed profile 70x70x4x67
			4	Tornillo / screw DIN933 M8x20
			4	Tuerca / nut DIN985 M8
			2	Arandela / washer DIN125 M5
			2	Tuerca / nut DIN985 M5
			2	Tornillo / screw DIN963 M5x16
			4	Orejeta / ear grip 50x30x5
			4	Orejeta / ear grip 50x30x5
4	T101D	SETSPATA01	1	Perfil pata / leg profile 30x30x1,5x765
			1	Arandela / washer DIN9021 M8
			2	Tornillo / screw DIN931 M8x50
			2	Tuerca / nut DIN985 M8
9			1	Contera interior / interior rubber stopper 30x30
10			1	Contera exterior / outside rubber stopper 30x30
5	T101D	SETSPATA09	1	Perfil pata con asa / handle leg profile 30x30x1,5x765
			1	Asa / handle
			1	Arandela / washer DIN9021 M8
			2	Tornillo / screw DIN931 M8x50
			2	Tuerca / nut DIN985 M8
			9	
10		1	Contera exterior / outside rubber stopper 30x30	
6	T101D	SETSMOVI01	1	Perfil móvil / mobile profile 70x70x4x88
			4	Perfil en U / U form profile
			1	Tuerca / nut DIN934 M8
			1	Mosquetón base / base carabiner
7	T101D	SETSTIDE01	4	Perfil / profile 20x6x370
8	T101D	SETSBAPO02	1	Pomo / handgrip starplast T33 ERZ M8x20



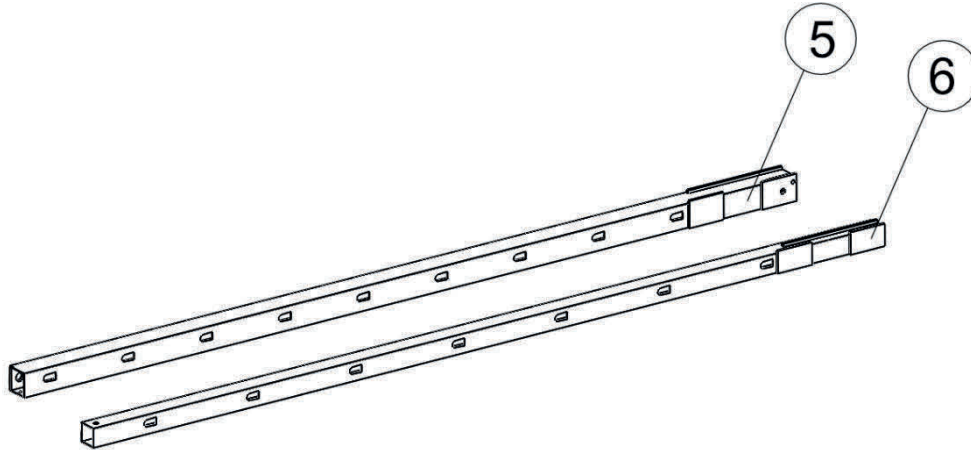
NUM.	MODELO TORRE / TOWER MODEL	REF.	CONTIENE / INCLUDES	
			CANT./QTY	DETALLE / DETAIL
11	T101D	SETSBASE14	1	Perfil tramo base / profile base mast 60x60x2x1140
			1	Macizo redondo / solid round Ø5x40
			1	Chapa cabrestante / winch plate 140x70x16
			1	Pletina / platten 40x5x55
			1	Orejeta Wire Drive / Wire Drive ear
			1	Tuerca / nut DIN934 M6
12	T101D	SETSTR104	1	Perfil tramo 1 / profile 1 mast 50x50x1,5x1170
			1	Cartela base inferior / lower platten 40x6x46
			1	Pletina / platten 6x6x110
			2	Platina / platten 50x6x56
13	T101D	SETSTR121	1	Perfil tramo 2 / profile 2 mast 40x40x1,5x1220
			2	Pletina / platten 50x5x45
			1	Pletina / platten 6x6x110
			1	Tuerca / nut DIN934 M10

T102D



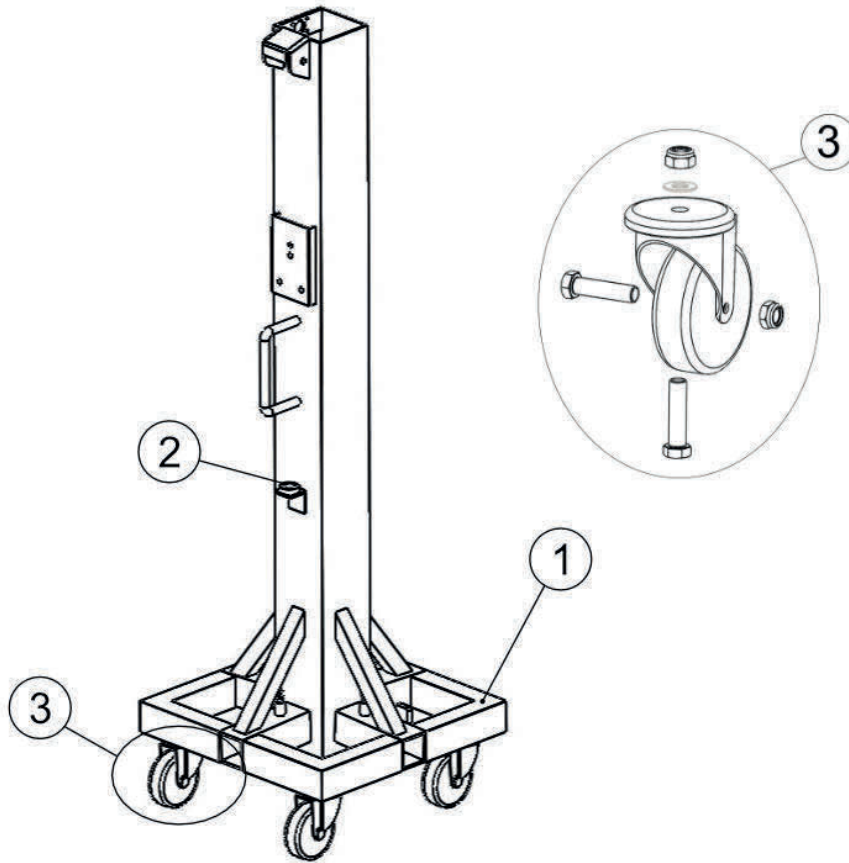
NUM.	MODELO TORRE / TOWER MODEL	REF.	CONTIENE / INCLUDES	
			CANT./QTY	DETALLE / DETAIL
1	T102D	SETSBASE15	1	Chapa cabrestante / winch plate 140X70X16
			1	Asa / handle D13x260
			4	Pletina / platten 30X4X290
			1	Plancha base / base plate T102, LW150, LW142
			1	Orejeta Wire Drive / Wire Drive ear 73X45X45
			1	Macizo redondo / solid round D12X152
			4	Perfil / profile 50X50X1.5X110
			4	Mosquetón base / base carabiner
			4	Perfil / profile 50x50x1.5x150 T102
			1	Tuerca / nut DIN934 M6
			1	Pletina / platten 40X40X6X50
			1	Perfil / profile D35X2X10
			1	Perfil / profile 60X60X2X1805
			1	Pletina / platten 40X40X6X50
			2	Macizo redondo / solid round D5X40

NUM.	MODELO TORRE / TOWER MODEL	REF.	CONTIENE / INCLUDES	
			CANT./QTY	DETALLE / DETAIL
2	T102D	SETSBARU04	1	Rueda/wheel 829.080.0/30 PP N/GN LI
			2	Pasador elástico / elastic Din1481 m3x20
			1	Arandela / washer DIN125 M12
			1	Arandela / washer M12x1 mm
3	T102D	SETSBANI01	1	Nivel burbuja / bubble level 30 mm
4	T102D	SETSMOPE01	1	Mosquetón / carabiner
			4	Arandela / washer DIN125 M6
			4	Tornillo / screw DIN912 M6x12

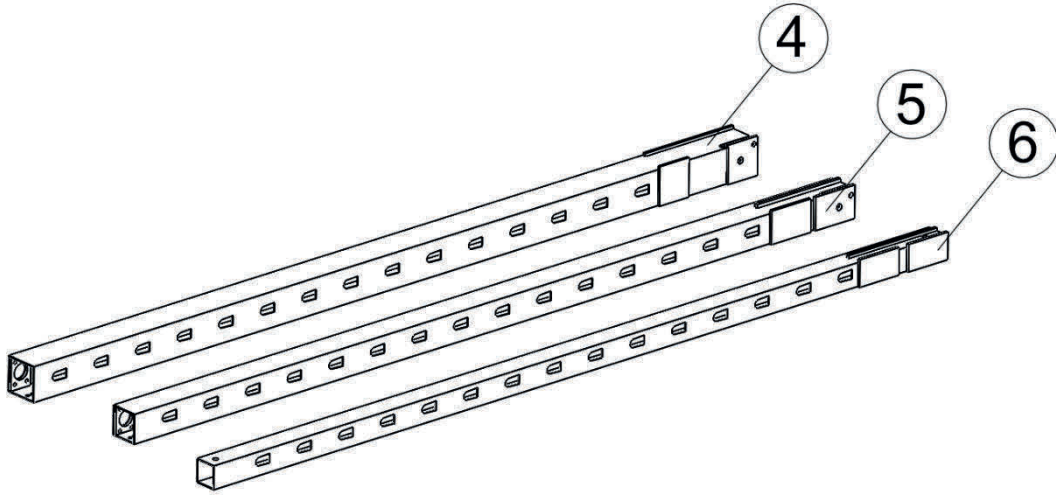


NUM.	MODELO TORRE / TOWER MODEL	REF.	CONTIENE / INCLUDES	
			CANT./QTY	DETALLE / DETAIL
5	T102D	SETSTR102	1	Perfil tramo 1 / profile 1 mast 50x50x1,5x1800
			1	Pletina / platten 50x6x57
			1	Pletina / platten 40x5x45
			1	Pletina / platten 6x6x220
6	T102D	SETSTR202	1	Perfil tramo 2 / profile 2 mast 40x40x1,5x1845
			2	Pletina / platten 80x6x47
			1	Pletina / platten 6x6x220
			1	Tuerca / nut DIN934 M10

T103D

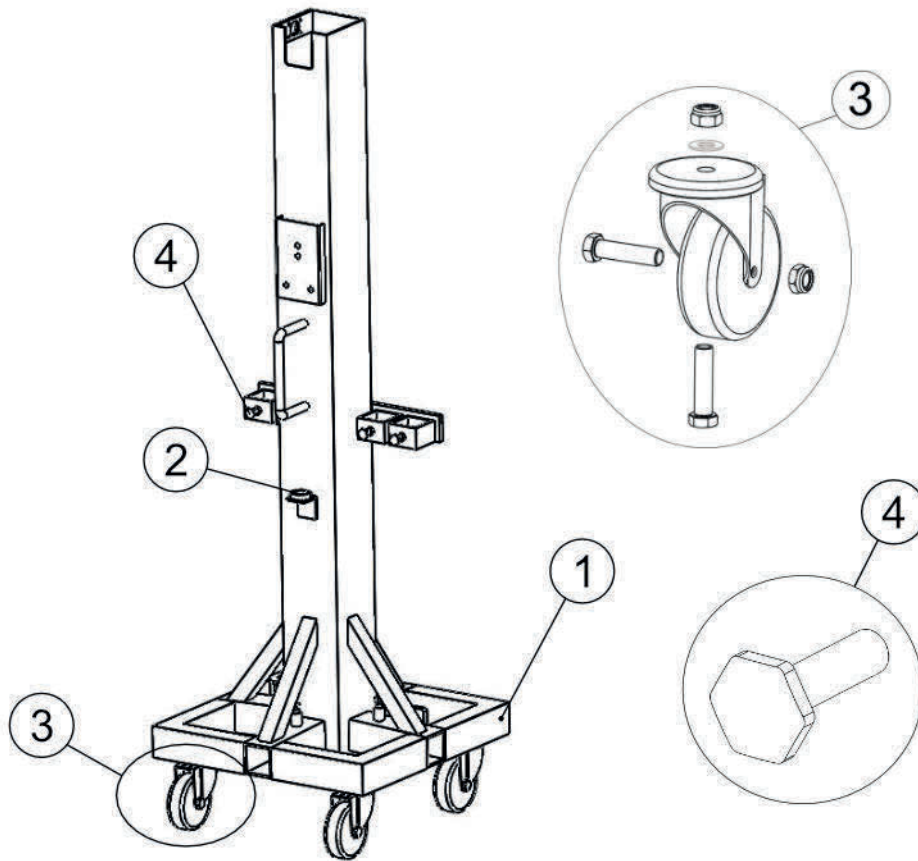


NUM.	MODELO TORRE / TOWER MODEL	REF.	CONTIENE / INCLUDES	
			CANT./QTY	DETALLE / DETAIL
1	T103D	SETSBASE16	1	Orejeta Wire Drive / Wire Drive ear73X45X45
			1	Chapa cabrestante / winch plate 140X70X16
			4	Pletina base rueda / wheel base plate
			1	Asa / handle D13x260
			4	Perfil / profile 30X30X1.5X275
			4	Perfil / profile 50X50X1.5X150
			4	Perfil / profile 50X30X2X160 IZQ
			4	Perfil / profile 50X30X2X160 DERECHA
			4	Mosquetón base / base carabiner
			1	Tuerca / nut DIN934 M6
			1	Perfil / profile 70X70X2X1438
			1	Macizo redondo / solid round D5X40
			1	Pletina / platten 40X5X65
			1	Perfil / profile 50X50X1.5X110
			1	Pletina / platten 30X4X50 PORTAPATAS
			1	Pletina / platten 40X40X6X50 NIVEL
			1	Perfil / profile D35x2 x 10 NIVEL
2	T103D	SETSBANI01	1	Nivel burbuja / bubble level 30 mm
3	T103D	SETSBARU03	1	Tuerca / nut DIN985 M12
			1	Tornillo / screw DIN933 M12x35
			1	Rueda/wheel 829.080.1 PN PPN GN LI

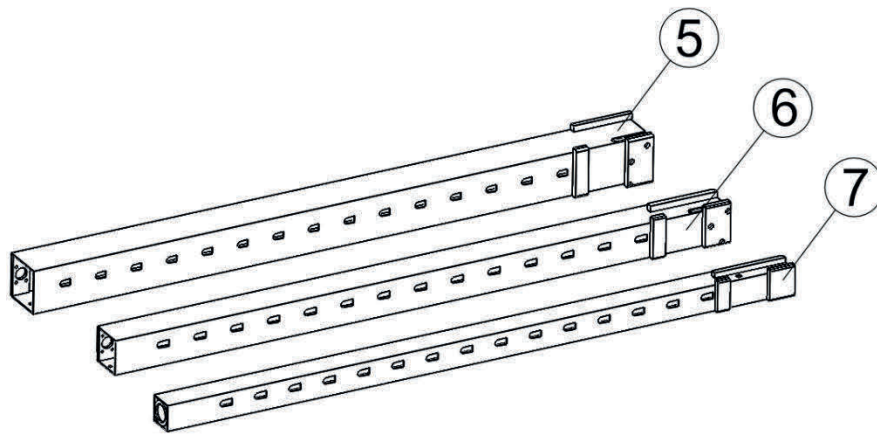


NUM.	MODELO TORRE / TOWER MODEL	REF.	CONTIENE / INCLUDES	
			CANT./QTY	DETALLE / DETAIL
4	T103D	SETSTR103	1	Perfil tramo 1 / profile 1 mast 60x60x1,5x1475
			2	Pletina / platten 60x5x65
			1	Pletina / platten 40x6x55
			1	Pletina / platten 5x5x180
5	T103D	SETSTR203	1	Perfil tramo 2 / profile 2 mast 50x50x1,5x1468
			2	Pletina / platten 80x5x56
			1	Pletina / platten 40x6x45
			1	Platina / platten 6x6x170
6	T103D	SETSTR303	1	Perfil tramo 3 / profile 3 mast 40x40x1,5x1515
			1	Pletina / platten 80x5x45
			1	Pletina / platten 6x6x170
			1	Tuerca / nut DIN934 M10

T105D

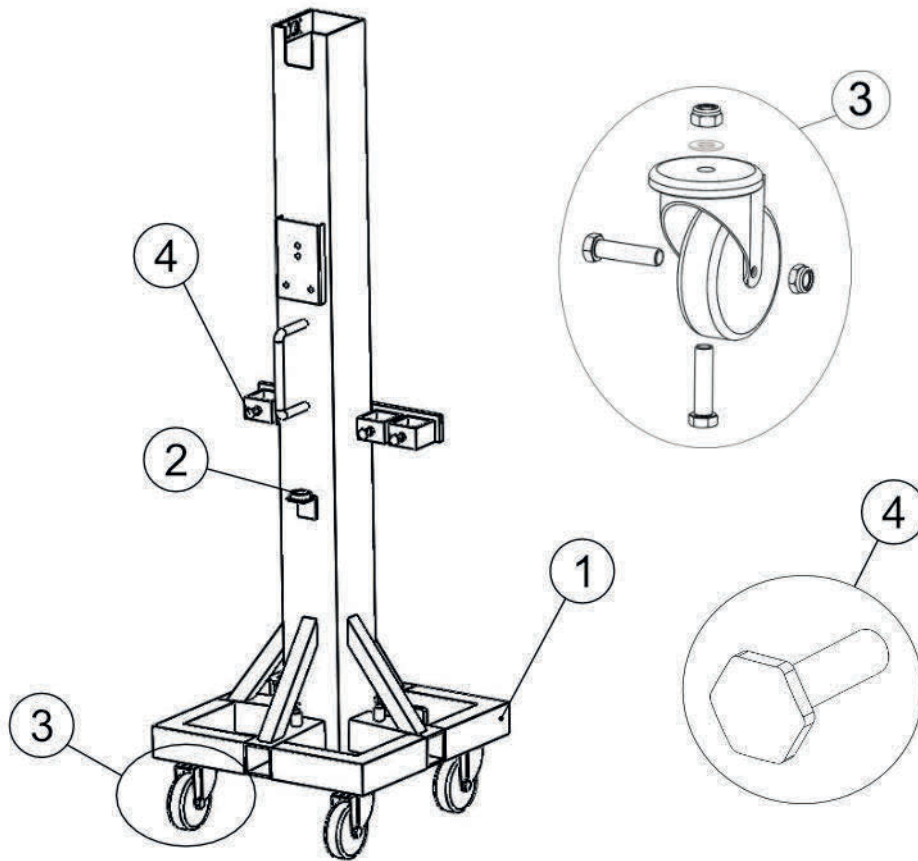


NUM.	MODELO TORRE / TOWER MODEL	REF.	CONTIENE / INCLUDES	
			CANT./QTY	DETALLE / DETAIL
1	T105D	SETSBASE19	4	Pletina / platten 30X12X33 T106
			1	Asa / handle D13x260
			1	Orejeta Wire Drive / Wire Drive ear
			4	Pletina base rueda / wheel base plate
			1	Chapa cabrestante / winch plate
			4	Perfil / profile 30X30X2X330 T106
			4	Perfil / profile 60X60X4X170 CON TIRADA T106
			4	Perfil / profile 60X40X2X200 Derecha mecanizado
			4	Perfil / profile 60X40X2X200 Izq.Mecanizado
			4	Mosquetón base / base carabiner
			1	Pletina / platten 40X40X6X50 NIVEL
			1	Perfil / profile D35x2 x 10 NIVEL
			1	Pletina / platten 50X10X420 T106D
			4	U perfil / profile U
			1	Perfil / profile 120x120x3x1400
			1	Pletina / platten 40X5X112
			1	Pletina / platten D13X40
2	T105D	SETSBANI01	1	Nivel burbuja / bubble level 30 mm
3	T105D	SETFBARU02	1	Tornillo / screw DIN933 M12x35
			1	Tuerca / nut DIN985 M12
			1	Rueda/wheel Rueda 829.100.1.PN PP-N/ PU.N
4	T105D	SETSBAPO01	1	Pomo starplast T33 ERZ M8x20

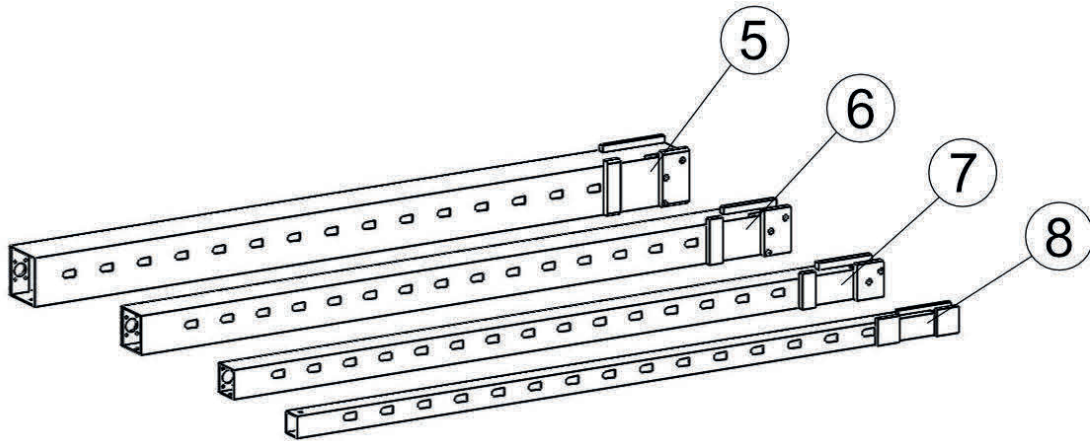


NUM.	MODELO TORRE / TOWER MODEL	REF.	CONTIENE / INCLUDES	
			CANT./QTY	DETALLE / DETAIL
5	T105D	SETSTR101	1	Perfil tramo 1 / profile 1 mast 100x100x2x1460
			1	Pletina / platten 70x15x114
			1	Pletina / platten 30x15x114
			1	Pletina / platten 40x5x95
			1	Pletina / platten D13x140
6	T105D	SETSTR201	1	Perfil tramo 2 / profile 2 mast 80x80x2x1450
			1	Pletina / platten 70x15x96
			1	Pletina / platten 30x15x96
			1	Pletina / platten 16x16x120
			1	Pletina / platten 40x5x75
7	T105D	SETSTR302	1	Perfil tramo 3 / profile 3 mast 60x60x2x1475
			1	Pletina / platten 16x16x120
			1	Reductor tramo / stretch reducer
			1	Tuerca / nut DIN934 M10
			1	Pletina / platten 30x15x76
			1	Pletina / platten 60x15x75

T106D

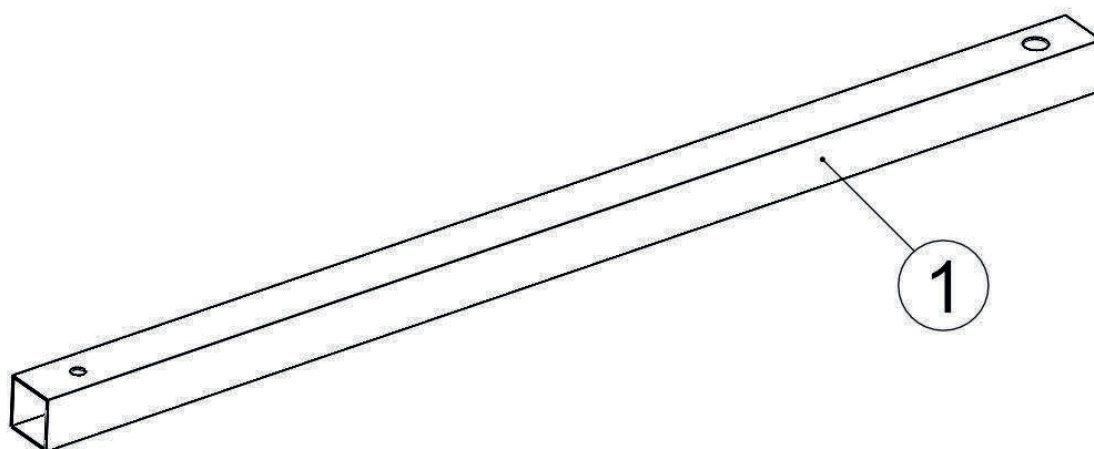


NUM.	MODELO TORRE / TOWER MODEL	REF.	CONTIENE / INCLUDES	
			CANT./QTY	DETALLE / DETAIL
1	T106D	SETSBASE19	4	Pletina / platten 30X12X33 T106
			4	Pletina base rueda / wheel base plate
			4	Perfil / profile 60X40X2X200 Derecha mecanizado
			1	Asa / handle D13x260
			4	Perfil / profile 60X40X2X200 Izq.Mecanizado
			4	Perfil / profile 60X60X4X170 CON TIRADA T106
			4	Perfil / profile 30X30X2X330 T106
			4	Mosquetón base / base carabiner
			1	Chapa cabrestante / winch plate
			1	Orejeta Wire Drive / Wire Drive ear
			1	Pletina / platten 50X10X420 T106D
			4	U perfil / profile U
			1	Pletina / platten 40X40X6X50 NIVEL
			1	Perfil / profile D35x2 x 10 NIVEL
			1	Perfil / profile 120x120x3x1400
			1	Pletina / platten 40X5X112
			1	Pletina / platten D13X40
2	T106D	SETSBANI01	1	Nivel burbuja / bubble level 30 mm
3	T106D	SETFBARU02	1	Tornillo / screw DIN933 M12x35
			1	Tuerca / nut DIN985 M12
			1	Rueda/wheel Rueda 829.100.1.PN PP-N/ PU.N
4	T106D	SETSBAP001	1	Pomo starplast T33 ERZ M8x20



NUM.	MODELO TORRE / TOWER MODEL	REF.	CONTIENE / INCLUDES	
			CANT./QTY	DETALLE / DETAIL
5	T106D	SETSTR101	1	Perfil tramo 1 / profile 1 mast 100x100x2x1460
			1	Pletina / platten 70x15x114
			1	Pletina / platten 30x15x114
			1	Pletina / platten 40x5x95
			1	Pletina / platten D13x140
6	T106D	SETSTR201	1	Perfil tramo 2 / profile 2 mast 80x80x2x1450
			1	Pletina / platten 70x15x96
			1	Pletina / platten 30x15x96
			1	Pletina / platten 16x16x120
			1	Pletina / platten 40x5x75
7	T106D	SETSTR301	1	Perfil tramo 3 / profile 3 mast 60x60x2x1450
			1	Pletina / platten 16x16x120
			1	Pletina / platten 30x15x76
			1	Pletina / platten 60x15x75
			1	Pletina / platten 40x3x55
8	T106D	SETSTR401	1	Perfil tramo 4 / profile 4 mast 45x45x3x1475
			2	Pletina / platten 50x10x57
			1	Pletina / platten 10x10x120
			1	Tuerca / nut DIN934 M10

RECAMBIOS PATAS / SPINDLE SPARE



T102D / T103D

NUM.	MODELO TORRE / TOWER MODEL	REF.	CONTIENE / INCLUDES	
			CANT./QTY	DETALLE / DETAIL
1	T102D/T103D	SETSPATA02	1	Casquillo / spile D20 x 44,70 M14
			1	Perfil / profile 45X45X1,5X995
			1	Contera plast. Negra / plastic black cover 45x45

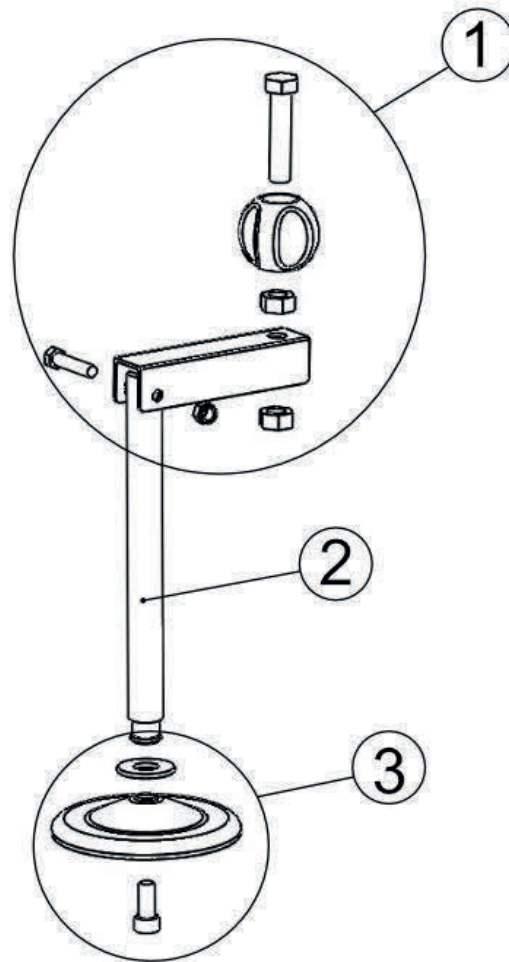
T105D

NUM.	MODELO TORRE / TOWER MODEL	REF.	CONTIENE / INCLUDES	
			CANT./QTY	DETALLE / DETAIL
1	T105D	SETSPATA03	1	Casquillo / spile D22 M16x50
			1	Perfil / profile 50X50X2X995
			1	Contera plast. Negra / plastic black cover 50x50

T106D

NUM.	MODELO TORRE / TOWER MODEL	REF.	CONTIENE / INCLUDES	
			CANT./QTY	DETALLE / DETAIL
1	T106D	SETSPATA04	1	Casquillo / spile D22 M16x50
			1	Perfil / profile 50X50X2X1995
			1	Contera plast. Negra / plastic black cover 50x50

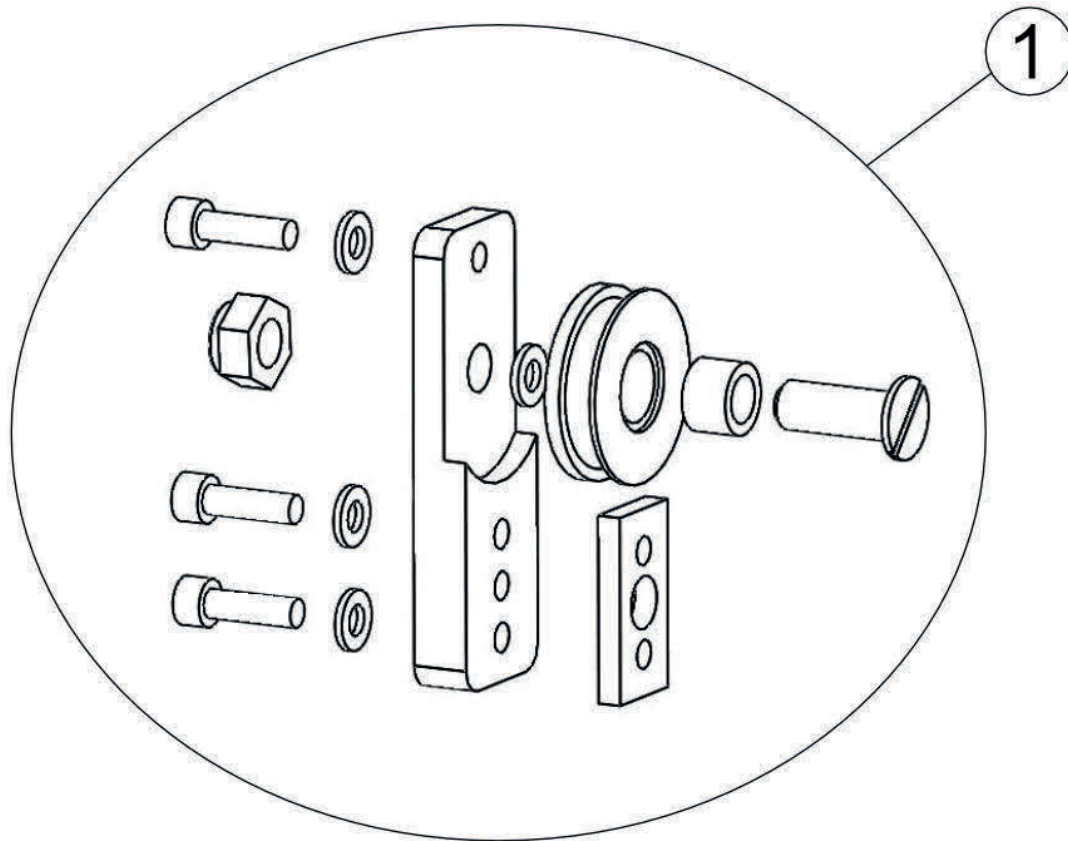
RECAMBIOS NIVELADOR PATAS / LEG SPINDLE SPARE



T102D / T103D / T105 / T106D

NUM.	MODELO TORRE / TOWER MODEL	REF.	CONTIENE / INCLUDES	
			CANT./QTY	DETALLE / DETAIL
1	T102D/T103D/ T105D/T106D	SETSPAPO04	1	Tornillo / screw DIN931 M8x40
			1	Pomo 4 labios / handgrip 4 sides
			2	Tuerca / nut DIN934 M8
			1	Tuerca / nut DIN985 M5 TUERCA
			1	Tornillo / screw DIN933 M5x25
			2	Arandela / washer DIN125 M5
			1	Pletina en U / U profile
2	T102D/T103D	SETSPAES04	1	Esparrago / threaded rod M14x160
2	T104D/T106D	SETSPAES05	1	Esparrago / threaded rod M14x245
3	T102D/T103D/ T105D/T106D	SETSPANIO1	1	Arandela / washer DIN9021 M6
			1	Arandela / washer M11
			1	Tornillo / screw DIN912 M6x12
			1	Plato estabilizador / stabilizer plate D80
			1	plástico en plato / plates plastic D80mm
			1	Arandela / washer DIN127B M6

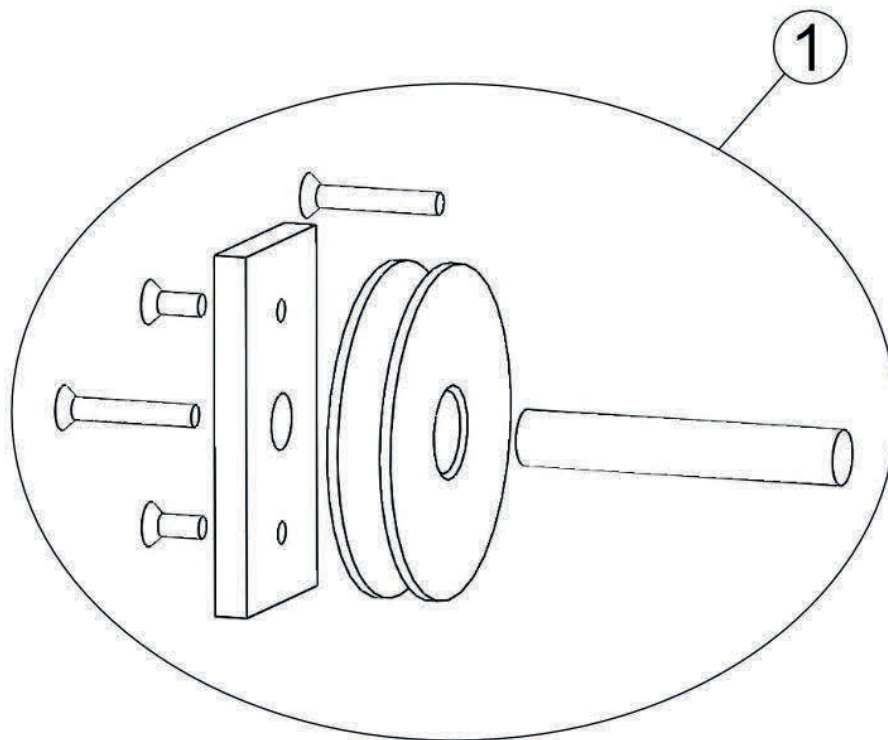
RECAMBIOS PORTAPOLEAS / PULLEY SPARE



NUM.	MODELO TORRE / TOWER MODEL	REF.	CONTIENE / INCLUDES	
			CANT./QTY	DETALLE / DETAIL
1	T101D/T102D/T103D	SETSPOPP08	1	Tornillo especial porta poleas / special screw pulley
			1	Polea / pulley D40x12
			1	Rodamiento / bearing 6000 ZZ
			1	Tuerca / nut DIN985 M10
			1	Pletina Portapolea / pulley platen 30x12x95
			1	Arandela / washer DIN125 M10
			3	Arandela / washer DIN125 M6
			3	Tornillo / screw DIN912 M6x20
1	T106D	SETSPOPP06	1	Tornillo especial porta poleas / special screw pulley
			1	Tuerca / nut DIN985 M12
			1	Arandela / washer DIN125 M12
			1	Polea / pulley 55X13 12
			1	Rodamiento / bearing 6201 2RS
			1	Pletina Portapolea / pulley platen 40x15x120
			1	Tornillo / screw DIN912 M6x25
			2	Tornillo / screw DIN912 M8x25
			2	Arandela / washer DIN125 M8
			1	Pletina / platten 20x10x54

NUM.	MODELO TORRE / TOWER MODEL	REF	CONTIENE / INCLUDES	
			CANT./ QTY	DETALLE / DETAIL
1	T105D/T106D	SETSPOPP09	1	Tornillo especial portalpoleas / Ispecial screw pulley
			1	Tuerca / Inut DIN985 M12
			1	Arandela / Washer DIN125 M12
			1	Polea / Pulley L80x15L12
			1	Pletina Portapolea / Pulley platen L50x12x155
			1	Rodamiento / bearing L6201 L2RS
			1	Tornillo / screw DIN912 M6x25
			2	Tornillo / screw DIN912 M8x25
			2	Arandela / washer DIN125 M8
			1	Pletina / platten L 30x15x55
1	T105D/T106D	SETSPOPP12	1	Pletina Portapolea / Pulley platen L50x12x134
			1	Tuerca / Inut DIN985 M12
			1	Tornillo especial portalpoleas / Ispecial screw pulley
			1	Polea / Pulley L 60x15L12
			1	Rodamiento / bearing L6201 L2RS
			1	Arandela / washer DIN125 M12
			1	Tornillo / screw DIN912 M6x25
			2	Tornillo / screw DIN912 M8x25
			2	Arandela / washer DIN125 M8
			1	Pletina / platten L 30x15x55

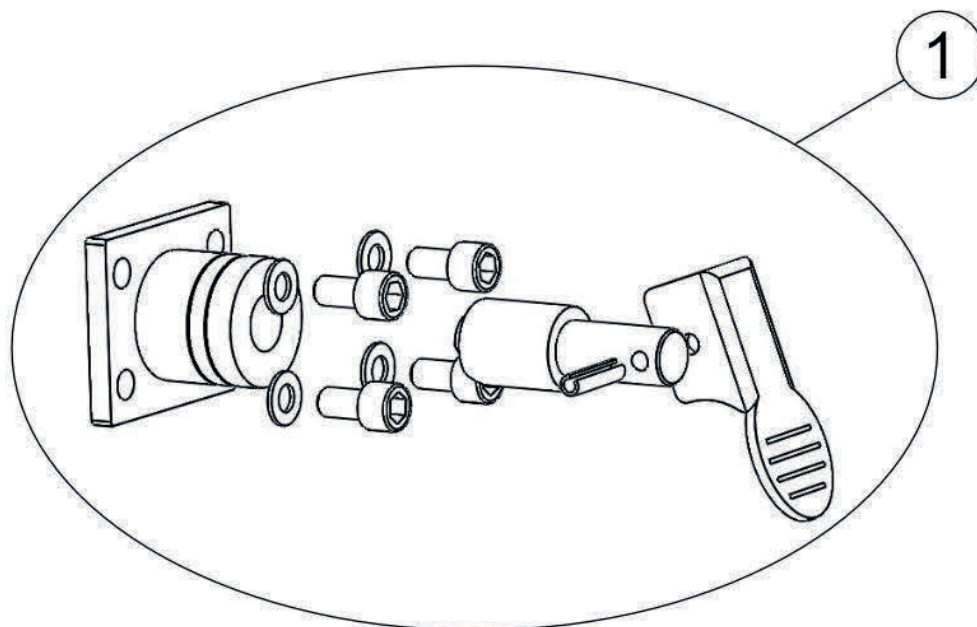
RECAMBIOS POLEAS INTERNAS / INTERNAL PULLEY SPARE



NUM.	MODELO TORRE / TOWER MODEL	REF.	CONTIENE / INCLUDES	
			CANT./QTY	DETALLE / DETAIL
1	T101D	SETSPION04	1	Polea / pulley 50x12 10
			1	Tornillo / screw DIN7991 M5x12
			2	Tornillo / screw DIN963 M4x10
			1	Eje / AXIS D10x50 M5x20
			2	Tornillo / screw DIN963 M4x40
			1	Pletina / platten 35x6x65 eje 10
1	T102D/T103D	SETSPION07	1	Polea / pulley 50x12 10
			1	Tornillo / screw DIN7991 M5x12
			2	Tornillo / screw DIN963 M4x10
			1	Eje / AXIS D10x50 M5x20
			2	Tornillo / screw DIN963 M4x40
			1	Pletina / platten 40x8x65 eje 10 Tornillo 4
1	T103D	SETSPION18	1	Eje / AXIS D12x59 mm
			1	Rodamiento / bearing 6201 2RS
			2	Tornillo / screw DIN963 M6x20
			1	Tornillo / screw DIN963 M6x40
			1	Pletina / platten 40x8x65 eje 12 Tornillo 6
			1	Polea / pulley 60x12 12

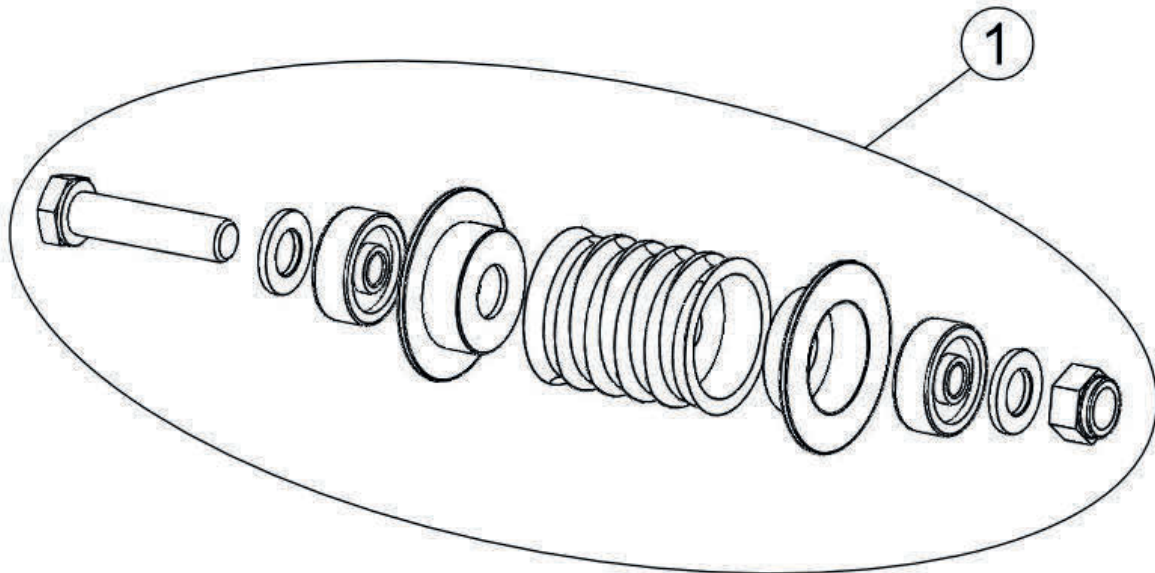
	MODELO TORRE / TOWER MODEL	REF.	CONTIENE / INCLUDES	
			CANT./QTY	DETALLE / DETAIL
1	T106D	SETSPOIN08	1	Polea / pulley 60x15
			1	Eje / AXIS D12x59 mm
			1	Rodamiento / bearing 6201 2RS
			3	Tornillo / screw DIN963 M6x20
			1	Tornillo / screw DIN963 M6x40
			1	Pletina / platten 40X8X65 eje 12 Tornillo 6
1	T105D/T106D	SETSPOIN09	1	Polea / pulley 80x15 12
			1	Eje / AXIS D12x80 M6x25
			1	Rodamiento / bearing 6201 2RS
			1	Pletina / platten 40x8x85 eje 12
			3	Tornillo / screw DIN963 M6x20
			2	Tornillo / screw DIN963 M6x40
1	T105D/T106D	SETSPOIN11	1	Polea / pulley D90X15
			1	Eje / AXIS D15x100 M8x30
			1	Rodamiento / bearing D.ext.32 D.int.15 6002Z
			1	Pletina / platten 40x8x105 eje 15
			1	Tornillo / screw DIN7991 M8x25
			2	Tornillo / screw DIN963 M6x20
			2	Tornillo / screw DIN963 M6x70

RECAMBIOS MOSQUETONES / SAFETY LOCKS SPARE



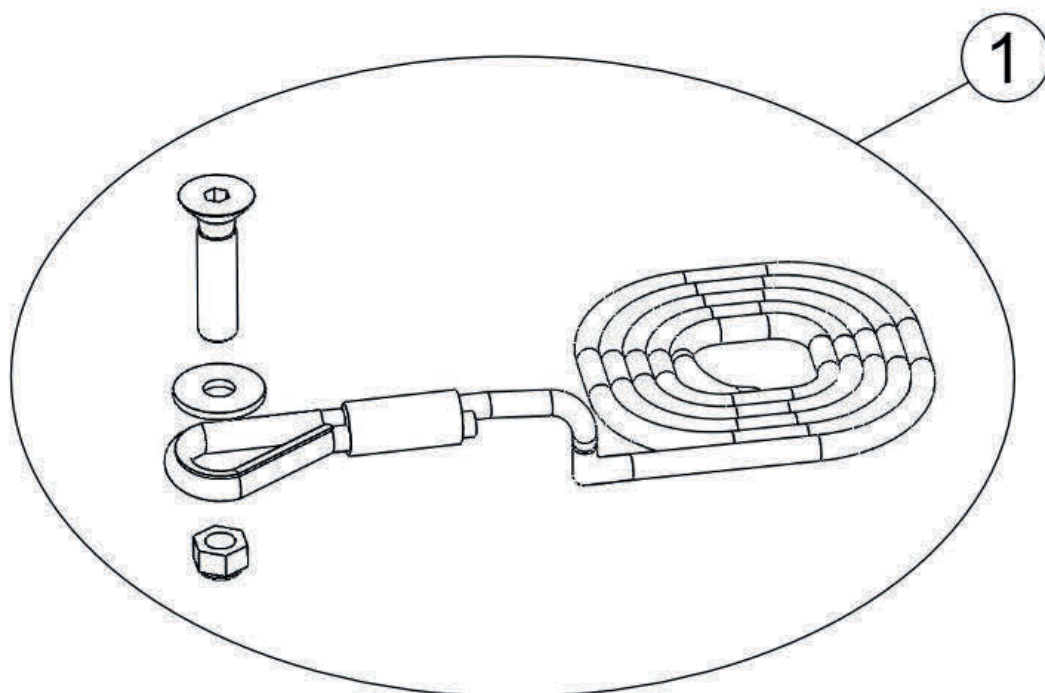
NUM.	MODELO TORRE / TOWER MODEL	REF.	CONTIENE / INCLUDES	
			CANT./QTY	DETALLE / DETAIL
1	T101D/T102D/T103D	SETSMOPE01	1	Mosquetón pequeño / small carabiner
			4	Arandela / washer DIN125 M6
			4	Tornillo / screw DIN912 M6x12
1	T105D/T106D	SETSMOGR01	1	Mosquetón grande / big carabiner
			4	Tornillo / screw DIN912 M6x25
			4	Tuerca / nut DIN934 M6
			2	Tope negro / black top 40x15x7
1	T106D	SETSMOME01	1	Mosquetón mediano / medium carabiner
			2	Tuerca / nut DIN934 M6
			2	Tornillo / screw DIN912 M6x12
			2	Tornillo / screw DIN912 M6x20
			1	Tope negro / black top 40x15x7

RECAMBIOS POLEA WIRE DRIVE / WIRE DRIVE PULLEY SPARE



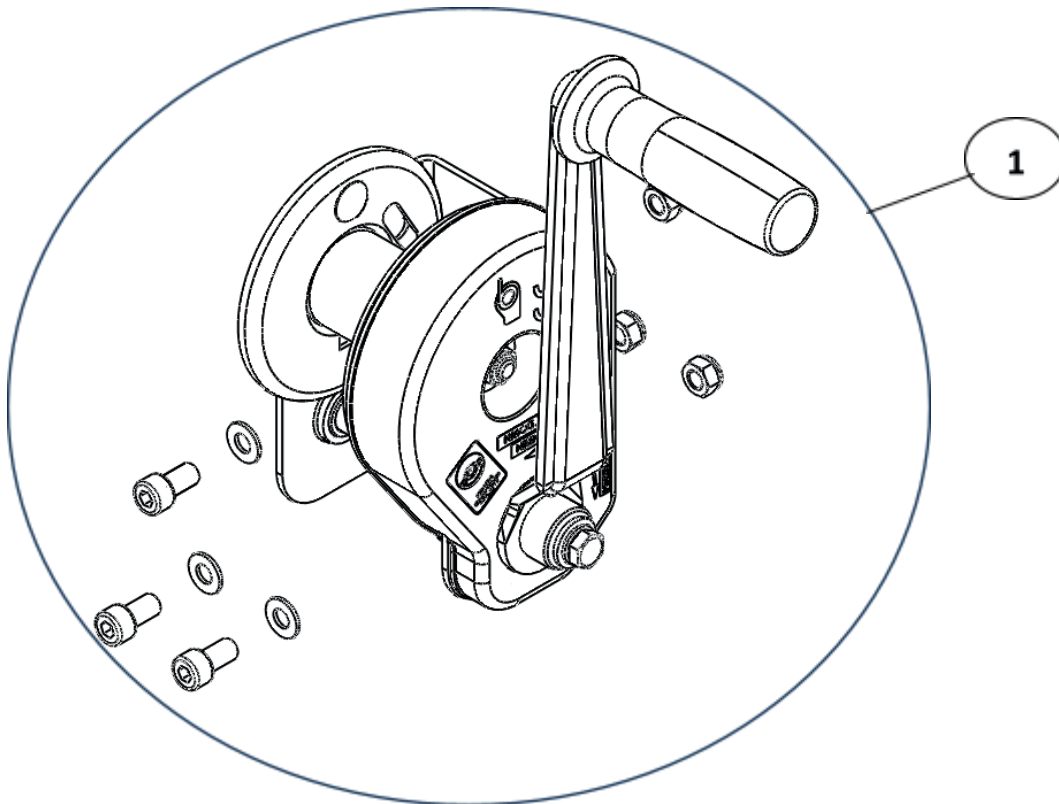
NUM.	MODELO TORRE / TOWER MODEL	REF.	CONTIENE / INCLUDES	
			CANT./QTY	DETALLE / DETAIL
1	T101D/T102D/T103D	SETSWIRE03	2	Rodamiento / bearing 6201 2RS
			1	Rodillo ranurado pequeño / small ribbed roller 40X38
			2	Tapa pequeña / small lid D45X14
			1	Tuerca / nut DIN985 M12
			1	Tornillo / screw Din931 m12x60
			2	Arandela / washer DIN125 M12
1	T105D/T106D	SETSWIRE02	1	Rodillo ranurado grande / big ribbed roller D45x54
			2	Orejeta grande / big ear 55X14
			2	Rodamiento / bearing 6201 2RS
			1	Tuerca / nut DIN985 M12
			4	Arandela / washer DIN125 M12
			1	Tornillo / screw DIN931 M12X90

RECAMBIOS CABLE / CABLE SPARE



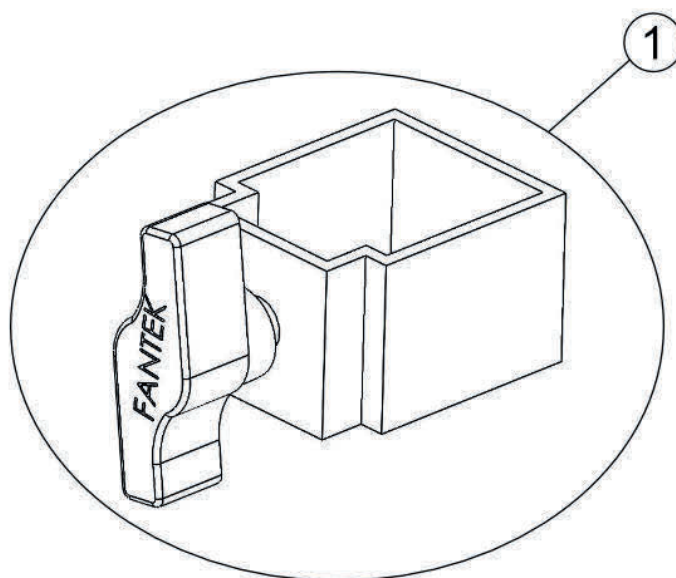
NUM.	MODELO TORRE / TOWER MODEL	REF.	CONTIENE / INCLUDES	
			CANT./QTY	DETALLE / DETAIL
1	T101D	SETSCABL08	1	Cable acero / steel cable 4mm 5,25m
			1	Tornillo / screw DIN7991 M8x25
			1	Arandela / washer DIN9021 M8
			1	Tuerca / nut DIN985 M8
1	T102D	SETSCABL09	1	Cable acero / steel cable 4mm x 7,00m
			1	Tornillo / screw DIN7991 M8x25
			1	Arandela / washer DIN9021 M8
			1	Tuerca / nut DIN985 M8
1	T103D	SETSCABL10	1	Cable acero / steel cable 4 mm x 10m
			1	Tornillo / screw DIN7991 M8x25
			1	Arandela / washer DIN9021 M8
			1	Tuerca / nut DIN985 M8
1	T105D	SETSCABL13	1	Cable acero / steel cable 7 mm x 10m
			1	Tuerca / nut DIN985 M12
			1	Arandela / washer DIN9021 M12
			1	Tornillo / screw DIN7991 M12x45
1	T106D	SETSCABL12	1	Cable acero / steel cable 6mm x 12,5m (T106D)
			1	Tornillo / screw DIN7991 M10X35
			1	Arandela / washer DIN9021 M10
			1	Tuerca / nut DIN985 M10

RECAMBIOS CABRESTANTE / WINCH SPARE



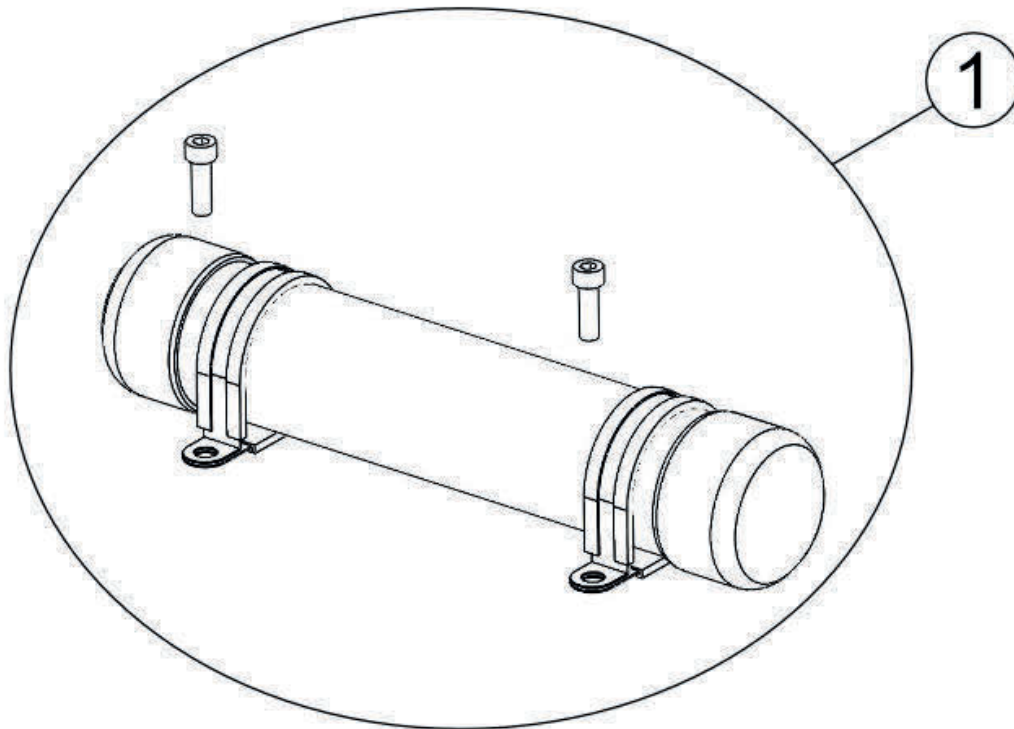
NUM.	MODELO TORRE / TOWER MODEL	REF.	CONTIENE / INCLUDES	
			CANT./QTY	DETALLE / DETAIL
1	T101D	CABM450	1	Cabrestante / winch 450 Basic/compact
1	T102D	CABM351	1	Cabrestante 350 kg M-351
1	T103D	CABM501	1	Cabrestante / winch 500 Kg M-501
1	T105D/T106D	SETLCABR02	1	Cabrestante doble asa / double handle winch 680 kg

RECAMBIOS CONTERA / NOZZLE SPARE



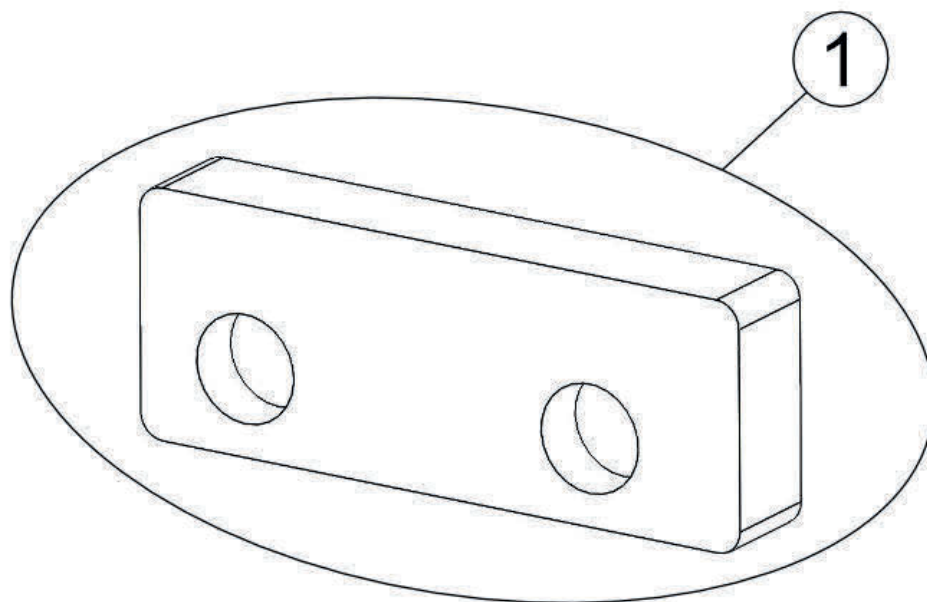
NUM.	MODELO TORRE / TOWER MODEL	REF.	CONTIENE / INCLUDES	
			CANT./QTY	DETALLE / DETAIL
1	T101D/T102D/T103D	SETSTRCO01	1	U contera pequeña / U small nozzle
			1	Pletina / platten
			1	Pomo + Tornillo / screw + handgrip
1	T105D	SETSTRCO02	1	U contera grande / U big nozzle
			1	Pletina / platten
			1	Tornillo / screw m10x61.5
			1	Pomo cromado / chrome knob

RECAMBIOS PORTADOCUMENTOS / DOCUMENTS HOLDER SPARE



NUM.	MODELO TORRE / TOWER MODEL	REF.	CONTIENE / INCLUDES	
			CANT./QTY	DETALLE / DETAIL
1	T101D/T102D/T103D	PORTADOC1	1	Tubo portadocumentos / Document tube
			2	Abrazadera isofonica / isophonic clamp D50
			2	Contera de exterior negra / external black nozzle
			2	Tornillo / screw DIN912 M6x8
1	T105D/T106D	PORTADOC4	1	Tubo portadocumentos / Document tube
			2	Abrazadera isofonica / isophonic clamp D50
			2	Contera de exterior negra / external black nozzle
			2	Tornillo / screw DIN912 M6x15

RECAMBIOS PATIN AJUSTE / ADJUSTMENT SHOE SPARE



NUM.	MODELO TORRE / TOWER MODEL	REF.	CONTIENE / INCLUDES	
			CANT./QTY	DETALLE / DETAIL
1	T106D	SETSTOPA01	1	Tope negro / black top 40x15x7

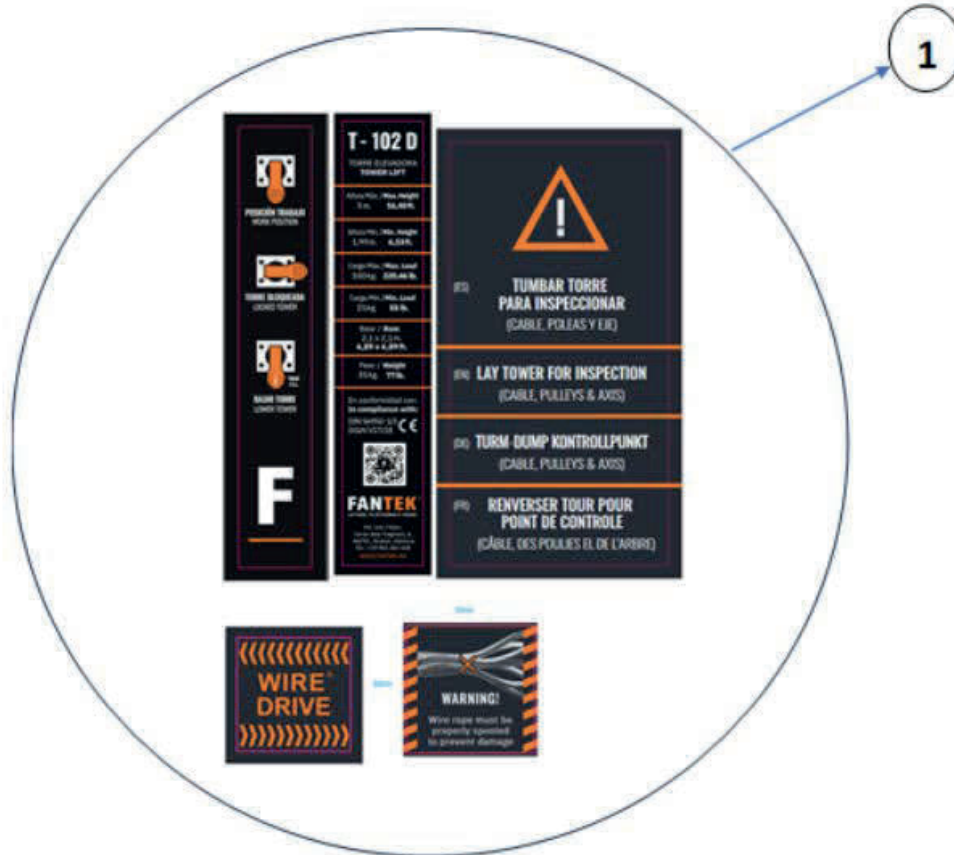
RECAMBIOS PEGATINAS / STICKERS SPARE

T101D



NUM.	MODELO TORRE / TOWER MODEL	REF.	CONTIENE / INCLUDES	
			CANT./QTY	DETALLE / DETAIL
1	T101D	SETSPEMA06	1	Pegatina características / characteristics sticker.
			1	Pegatina wire drive / wire drive sticker
			1	Pegatina punto de inspección / inspection point sticker
			1	Pegatina / sticker Warning wire rope
			1	Pegatina mosquetones / carabiner sticker

T102D



NUM.	MODELO TORRE / TOWER MODEL	REF.	CONTIENE / INCLUDES	
			CANT./QTY	DETALLE / DETAIL
1	T102D	SETSPEMA05	1	Pegatina características / characteristics sticker.
			1	Pegatina wire drive / wire drive sticker
			1	Pegatina punto de inspección / inspection point sticker
			1	Pegatina / sticker Warning wire rope
			1	Pegatina mosquetones / carabiner sticker

T103D



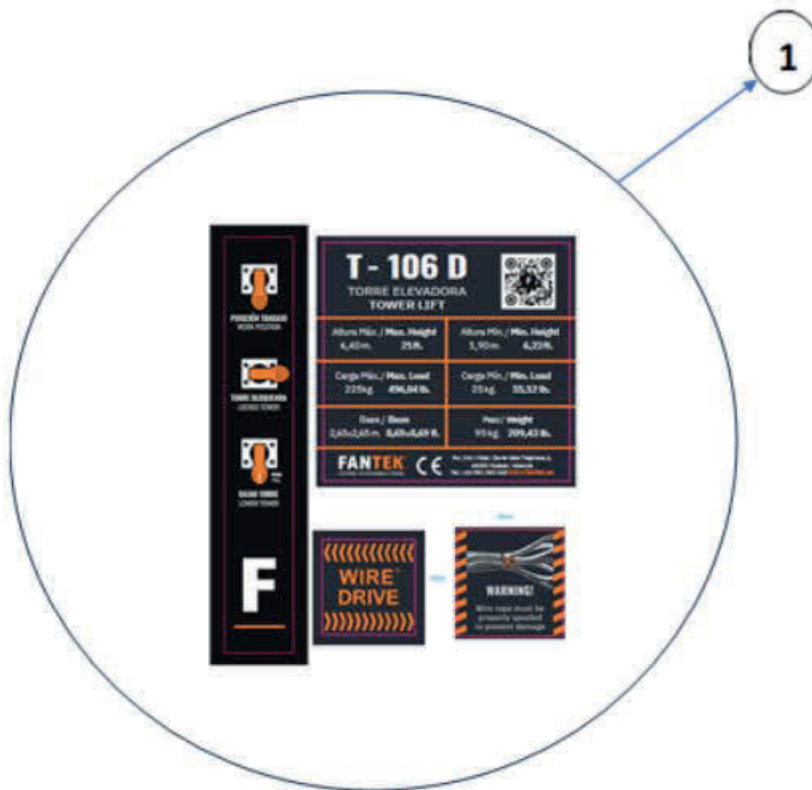
NUM.	MODELO TORRE / TOWER MODEL	REF.	CONTIENE / INCLUDES	
			CANT./QTY	DETALLE / DETAIL
1	T103D	SETSPMA04	1	Pegatina características / characteristics sticker.
			1	Pegatina wire drive / wire drive sticker
			1	Pegatina punto de inspección / inspection point sticker
			1	Pegatina / sticker Warning wire rope
			1	Pegatina mosquetones / carabiner sticker

T105D



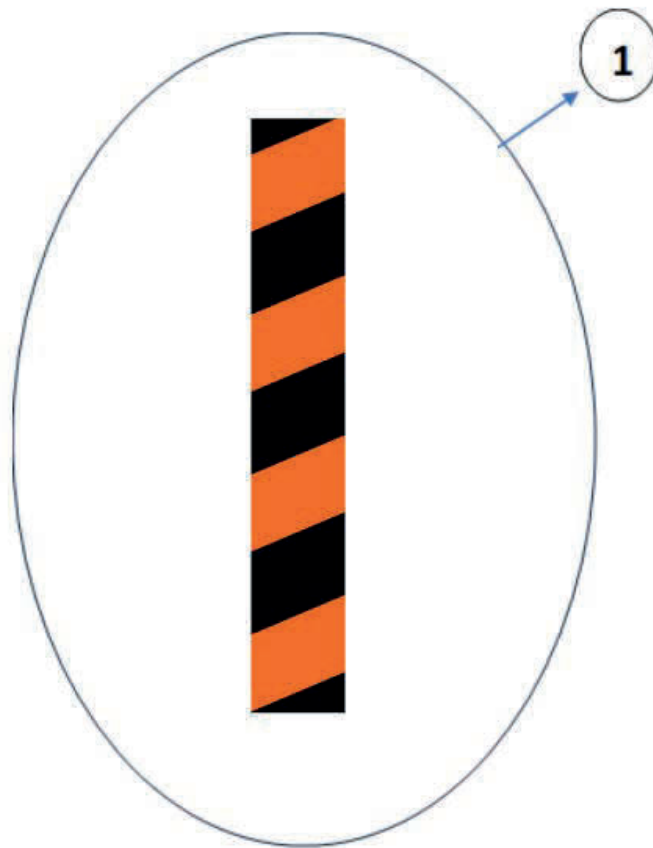
NUM.	MODELO TORRE / TOWER MODEL	REF.	CONTIENE / INCLUDES	
			CANT./QTY	DETALLE / DETAIL
1	T105D	SETSPMA02	1	Pegatina características / characteristics sticker.
			1	Pegatina wire drive / wire drive sticker
			1	Pegatina punto de inspección / inspection point sticker
			1	Pegatina / sticker Warning wire rope
			2	Pegatina mosquetones / carabiner sticker

T106D



NUM.	MODELO TORRE / TOWER MODEL	REF.	CONTIENE / INCLUDES	
			CANT./QTY	DETALLE / DETAIL
1	T106D	SETSPEMA01	1	Pegatina características / characteristics sticker.
			1	Pegatina wire drive / wire drive sticker
			1	Pegatina / sticker Warning wire rope
			2	Pegatina mosquetones / carabiner sticker

PEGATINAS PATAS / LEG STICKERS



NUM.	MODELO TORRE / TOWER MODEL	REF.	CONTIENE / INCLUDES	
			CANT./QTY	DETALLE / DETAIL
1	T101D/T102D/ T103D/T105D/T106D	SETSPEPA01	1	pegatina patas negro naranja / black orange legs stickers

FANTEK®

LIFTERS, PLATFORMS & TRUSS

FANTEK INDUSTRIAL S.L.
C/Traginers, 4. P.I. - L'Alter,
Alcàsser – Valencia SPAIN
T +34 961 260 168
fantek@fantek.es



www.fantek.es

