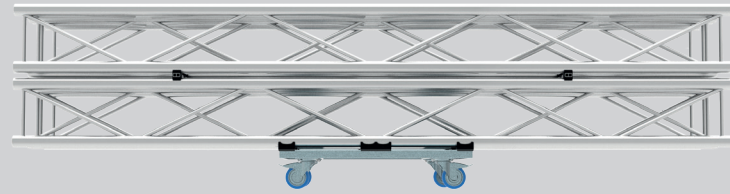
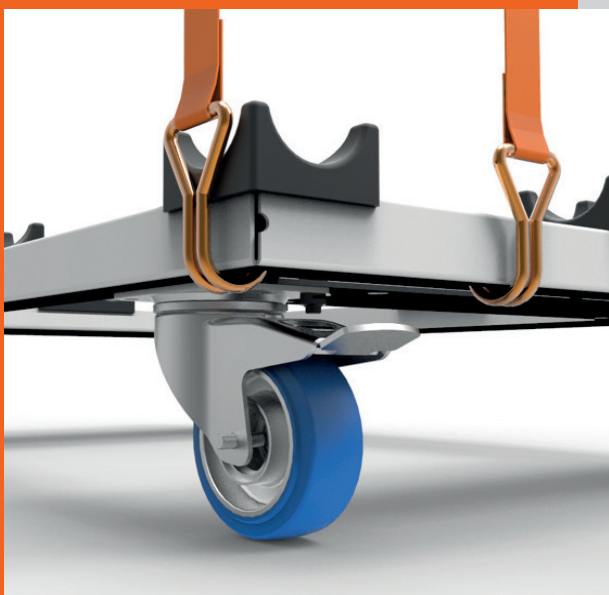




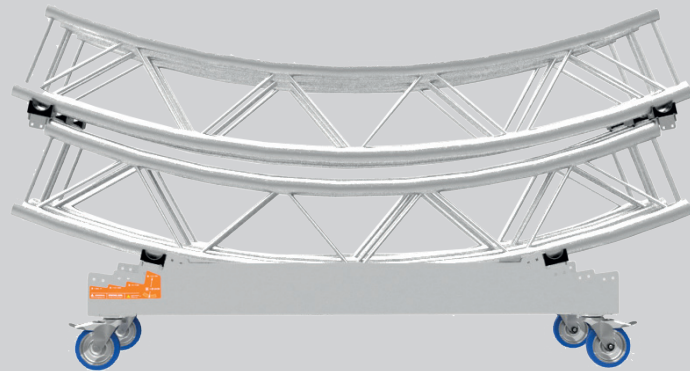
ADMIRAL
STAGING

STRONG FAMILY

Ideal for both 30 and 40 truss, the Strong Boy is the perfect solution for transporting straight truss. Use it together with its Mini version to easily ride the loaded dolly up a stage ramp. Our Strong girl can transport circular trusses with a square cross section and an outer diameter from 2.5 m up to an infinite diameter.



Strong Boy®



Strong Girl



Strong Boy mini®

KEY FEATURES

Sturdy design

These strong, durable dollies are made out of 2 and 3 mm galvanized steel, made to withstand the test of time.

Optimal friction

The frame is equipped with rubber studs that ensure a suitable positioning of your truss and prevent it from slipping.

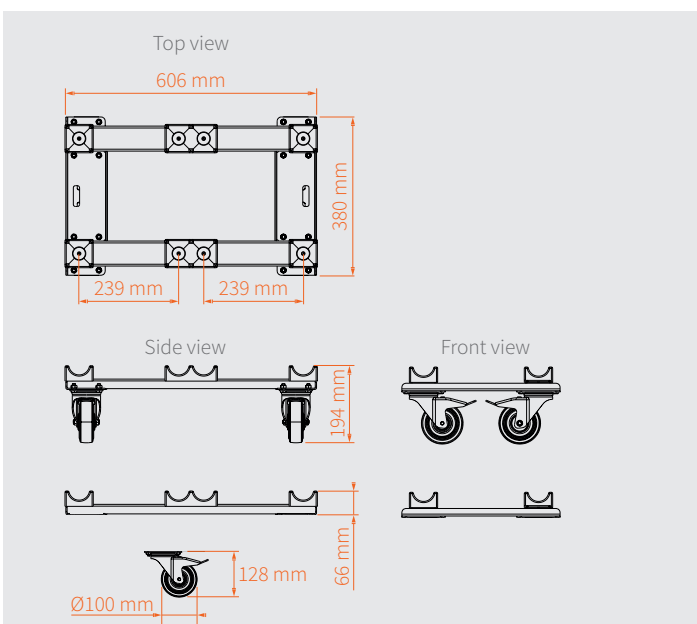
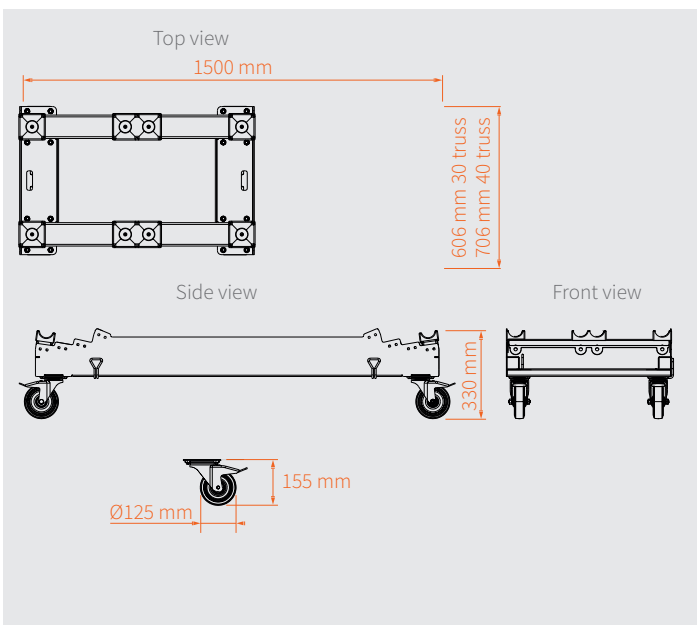
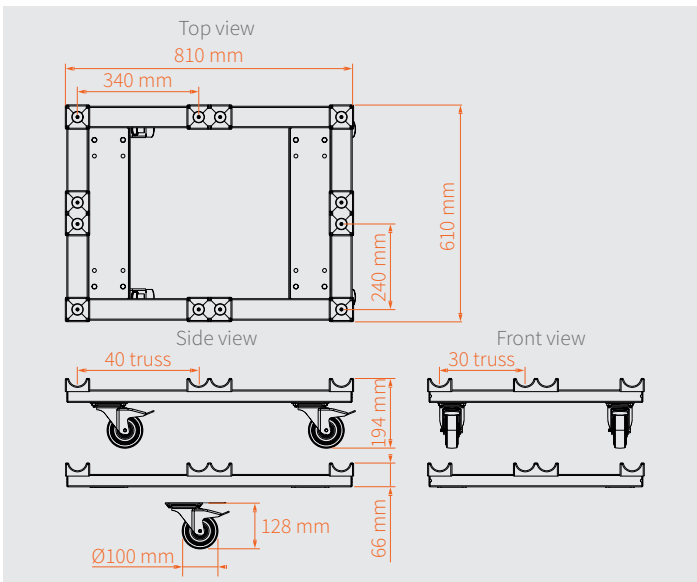
Easy to secure load

The frame of the dollies have cutouts that allow you to easily attach the hooks of your straps so your load can be secured.

© Design registered in the EU and UK

www.admiralstaging.com

DIMENSIONS



TECHNICAL DATA

Strong Boy®

| | |
|---------------------|--|
| Article code: | WASBC34WP |
| EAN: | 8720094425528 |
| WLL: | 130 kg |
| Dimensions mm: | 810 x 610 x 194 |
| Weight: | 13.6 kg |
| Set includes | 1x Strong Boy® frame |
| Article code: | WASBC34 |
| EAN: | 8720094425511 |
| Material: | steel |
| Finish: | galvanized |
| Dimensions: | 810 x 610 x 66 |
| Weight: | 9.8 kg |
| | 4x Castor 100 mm with brake |
| Article code: | ZEWACW14 |
| | 1x Boltset Strong Boy, for 100/125 mm castor |
| Article code: | ZEM2SV34 |

Strong Girl 30 truss

| | |
|----------------|----------------------------------|
| Article code: | WASG230 |
| EAN: | 8720094425535 |
| WLL: | 200 kg |
| Material: | steel |
| Finish: | galvanized |
| Dimensions mm: | 1500 x 606 x 330 |
| Weight: | 30.5 kg |
| Castors: | 4 x ZEWACW24 - 125 mm with brake |

Strong Girl 40 truss

| | |
|----------------|----------------------------------|
| Article code: | WASG240 |
| EAN: | 8720094425542 |
| WLL: | 200 kg |
| Material: | steel |
| Finish: | galvanized |
| Dimensions mm: | 1500 x 706 x 330 |
| Weight: | 30.6 kg |
| Castors: | 4 x ZEWACW24 - 125 mm with brake |

Strong Boy mini®

| | |
|---------------------|---|
| Article code: | WASBM10C |
| EAN: | 8720094427157 |
| WLL: | 130 kg |
| Dimensions mm: | 606 x 380 x 194 |
| Weight: | 10.7 kg |
| Set includes | 1x Strong Boy mini® frame |
| Article code: | WASBM10 |
| EAN: | 8720094425511 |
| Material: | steel |
| Finish: | galvanized |
| Dimensions mm: | 606 x 380 x 66 |
| Weight: | 7.48 kg |
| | 4x Castor 100 mm with brake |
| Article code: | ZEWACW14 |
| | 1x Boltset Strong Boy mini, for 100/125 mm castor |
| Article code: | ZEM2SV34 |

